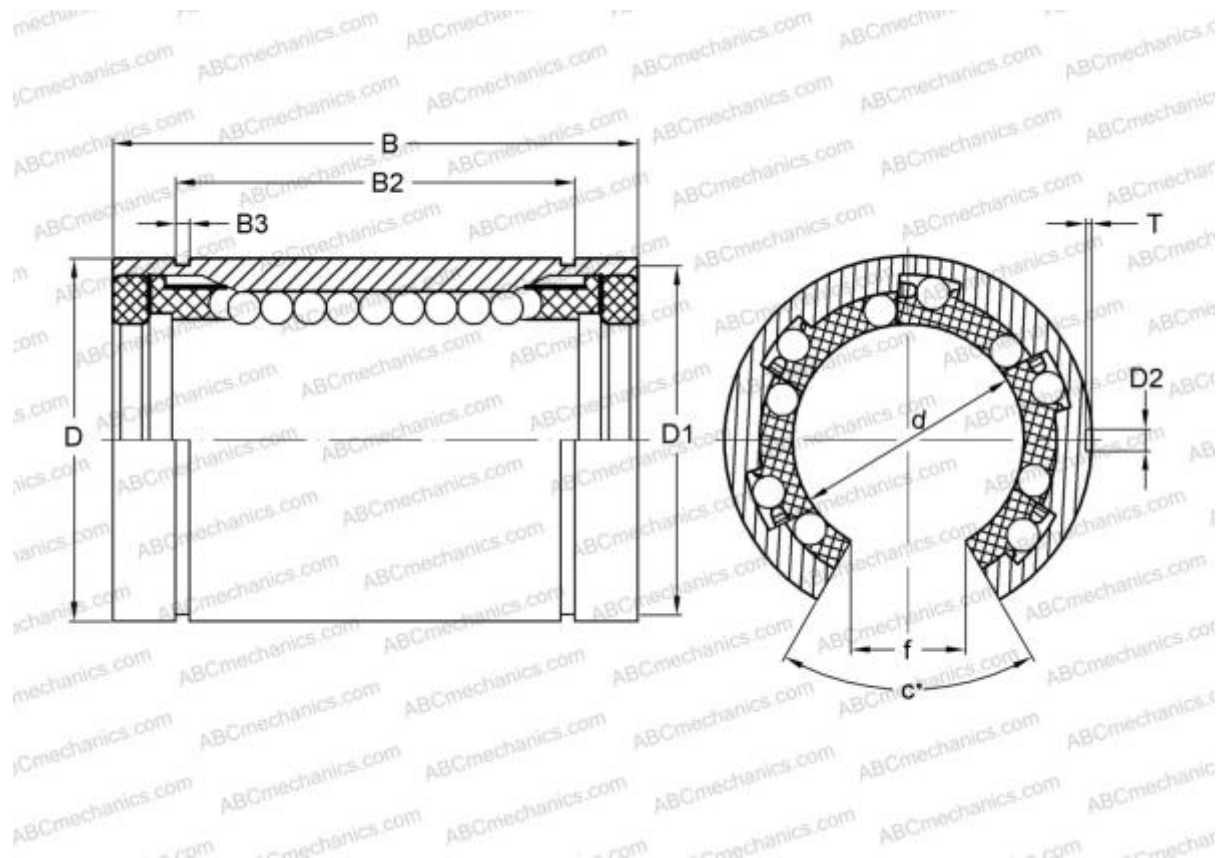


KBO20-PP INA

Linear bushing

TYPE: Shaft guidance systems, Linear bushing, Standard, Open type for support rail, Type LBE..UU OP, KBO..PP, LBCT..2LS, sealed on both sides



Technical specification

DIMENSIONS, MM

d	20,000
D	32,000
B	45,000
D1	30,300
D2	2,200
B2	31,200
B3	1,600
T	1,200
f	10,000
c	60,000

WEIGHT, KG 0,070

MANUFACTURER [INA](#)

INTERCHANGE

ABC	LBE 20 UU OP
IKO	LBE 20 UU OP
STAR	0632-020-00
THOMSON	0632-020-00
SKF	LBCT 20-2LS
FAG	LAN 20x32x45.2RS

REPLACES

KBO 2045 PP