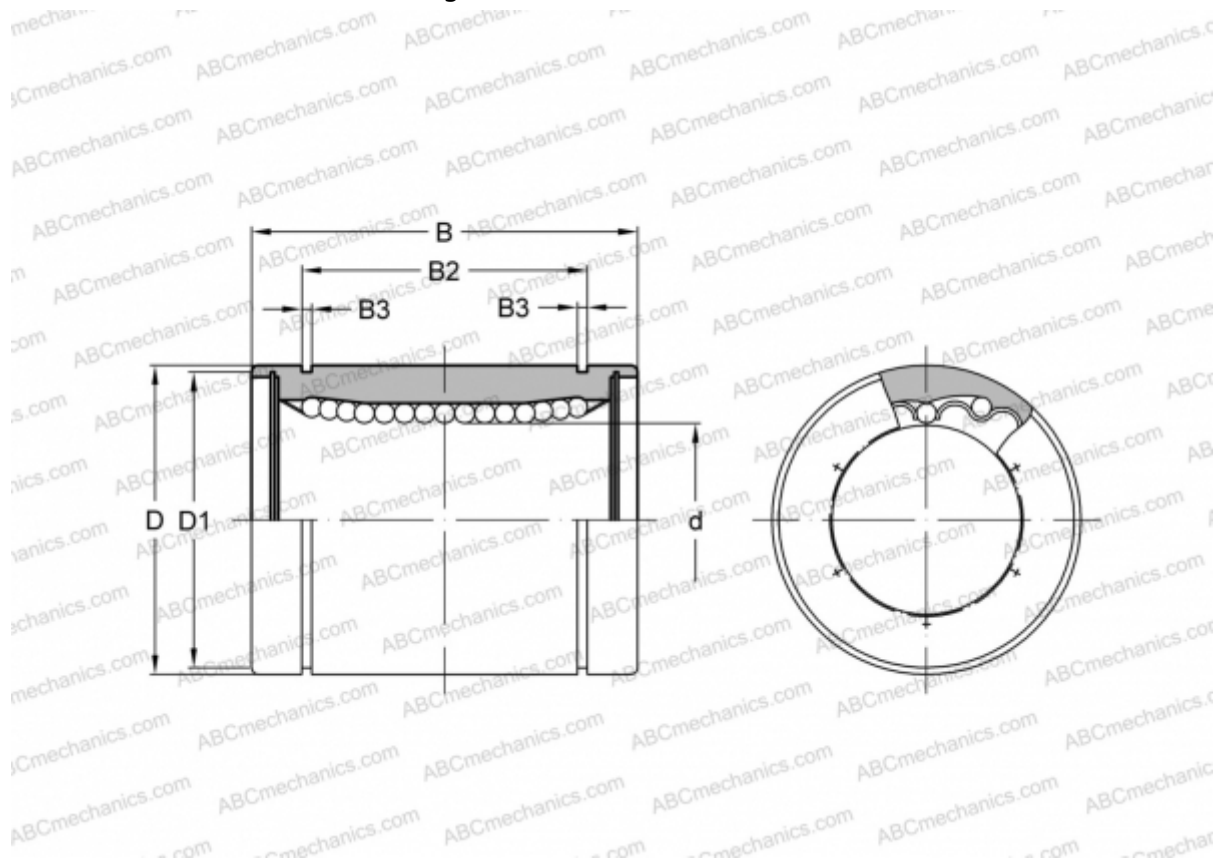


SMS 50 NB

Linear bushing

TYPE: Shaft guidance systems, Linear bushing, Standard, Close type, Type SM, Asian standard, Corrosion resistance, Stainless steel cage (NB)



Technical specification

DIMENSIONS, MM

d	50,000
D	80,000
B	100,000
D1	76,500
B2	74,000
B3	2,600

WEIGHT, KG 1,700

MANUFACTURER [NB](#)