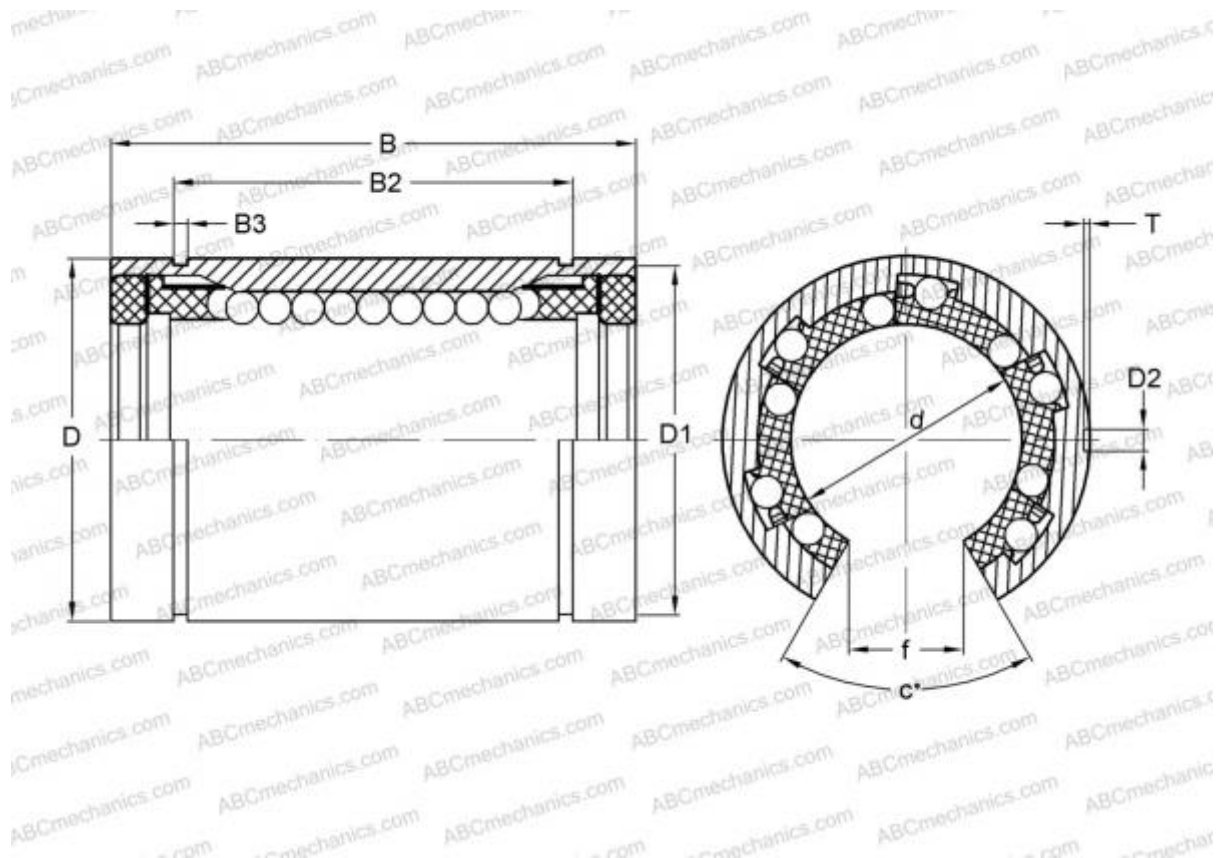


KBO40-PP INA

Linear bushing

TYPE: Shaft guidance systems, Linear bushing, Standard, Open type for support rail, Type LBE..UU OP, KBO..PP, LBCT..2LS, sealed on both sides



Technical specification

DIMENSIONS, MM

d	40,000
D	62,000
B	80,000
D1	59,000
D2	3,000
B2	60,300
B3	2,150
T	1,500
f	18,200
c	54,000

WEIGHT 0,520

MANUFACTURER [INA](http://www.ina.com)

INTERCHANGE

ABC	LBE 40 UU OP
IKO	LBE 40 UU OP
STAR	0632-040-00
THOMSON	0632-040-00
SKF	LBCT 40-2LS
FAG	LAN 40x62x80.2RS

REPLACES

KBO 4080 PP