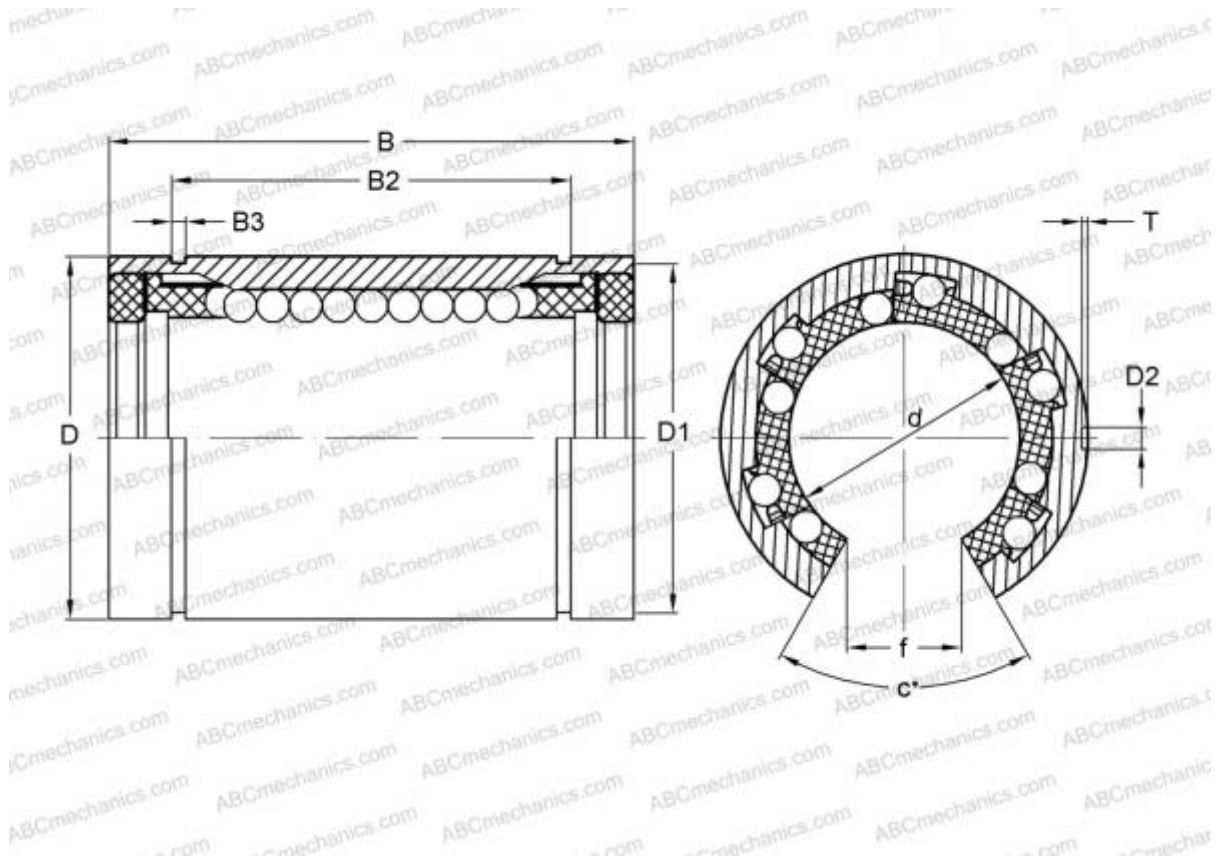


## LBCT 40-2LS SKF

Linear bushing

TYPE: Shaft guidance systems, Linear bushing, Standard, Open type for support rail, Type LBE..UU OP, KBO..PP, LBCT..2LS, sealed on both sides



### Technical specification

#### DIMENSIONS, MM

d	40,000
D	62,000
B	80,000
f	16,800
c	50,000

**WEIGHT** 0,485

**MANUFACTURER** [SKF](#)

#### INTERCHANGE

ABC	<a href="#">LBE 40 UU OP</a>
IKO	<a href="#">LBE 40 UU OP</a>
STAR	<a href="#">0632-040-00</a>
THOMSON	<a href="#">0632-040-00</a>
INA	<a href="#">KBO40-PP</a>

#### INTERCHANGE

FAG [LAN 40x62x80.2RS](#)