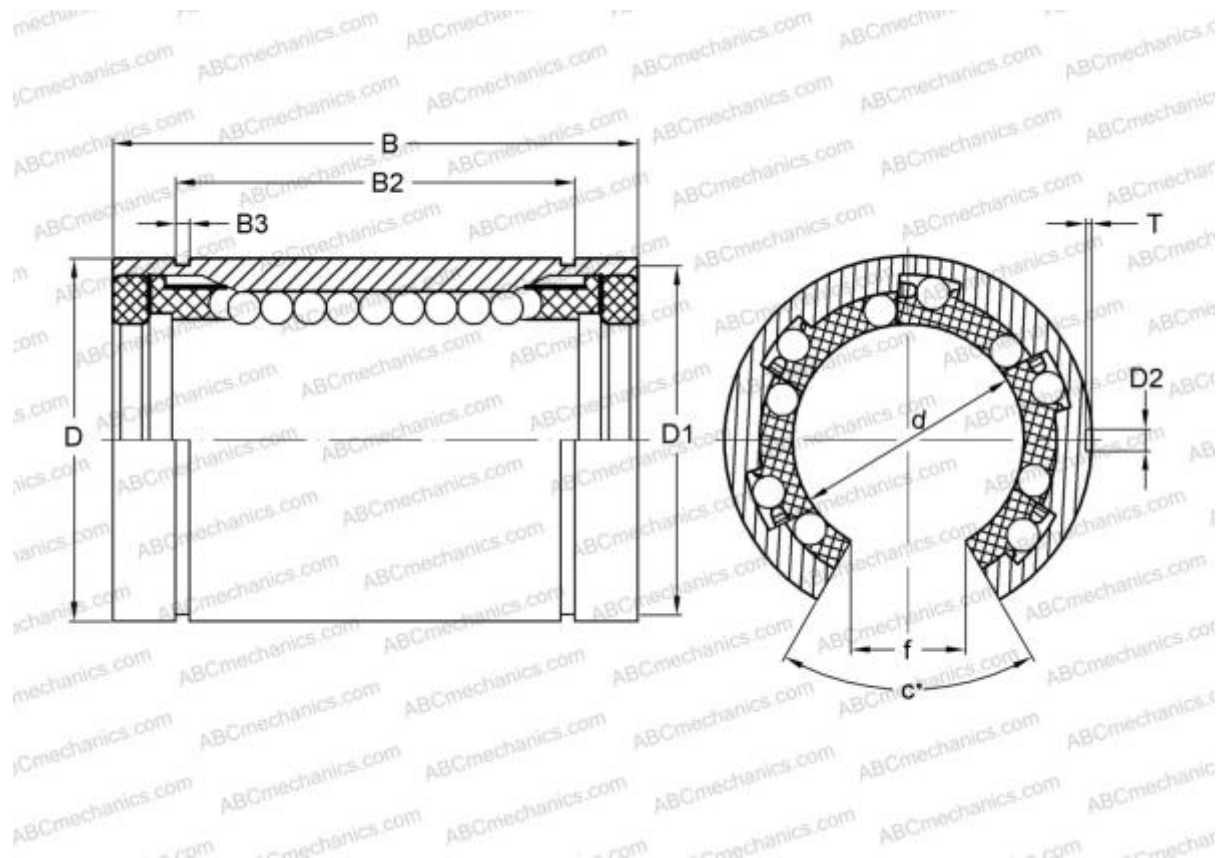


LBE 50 UU OP IKO

Linear bushing

TYPE: Shaft guidance systems, Linear bushing, Standard, Open type for support rail, Type LBE..UU OP, KBO..PP, LBCT..2LS, sealed on both sides



Technical specification

DIMENSIONS, MM

d	50,000
D	75,000
B	100,000
f	21,000
c	50,000

WEIGHT 0,815

MANUFACTURER [IKO](#)

INTERCHANGE

ABC	LBE 50 UU OP
STAR	0632-050-00
THOMSON	0632-050-00
INA	KBO50-PP
SKF	LBCT 50-2LS

INTERCHANGE

FAG [LAN 50x75x100.2RS](#)

CALCULATION DATA

Basic dynamic load rating min	3,940 kN
Basic dynamic load rating max	4,180 kN
Basic static load rating min	7,130 kN
Basic static load rating max	9,120 kN