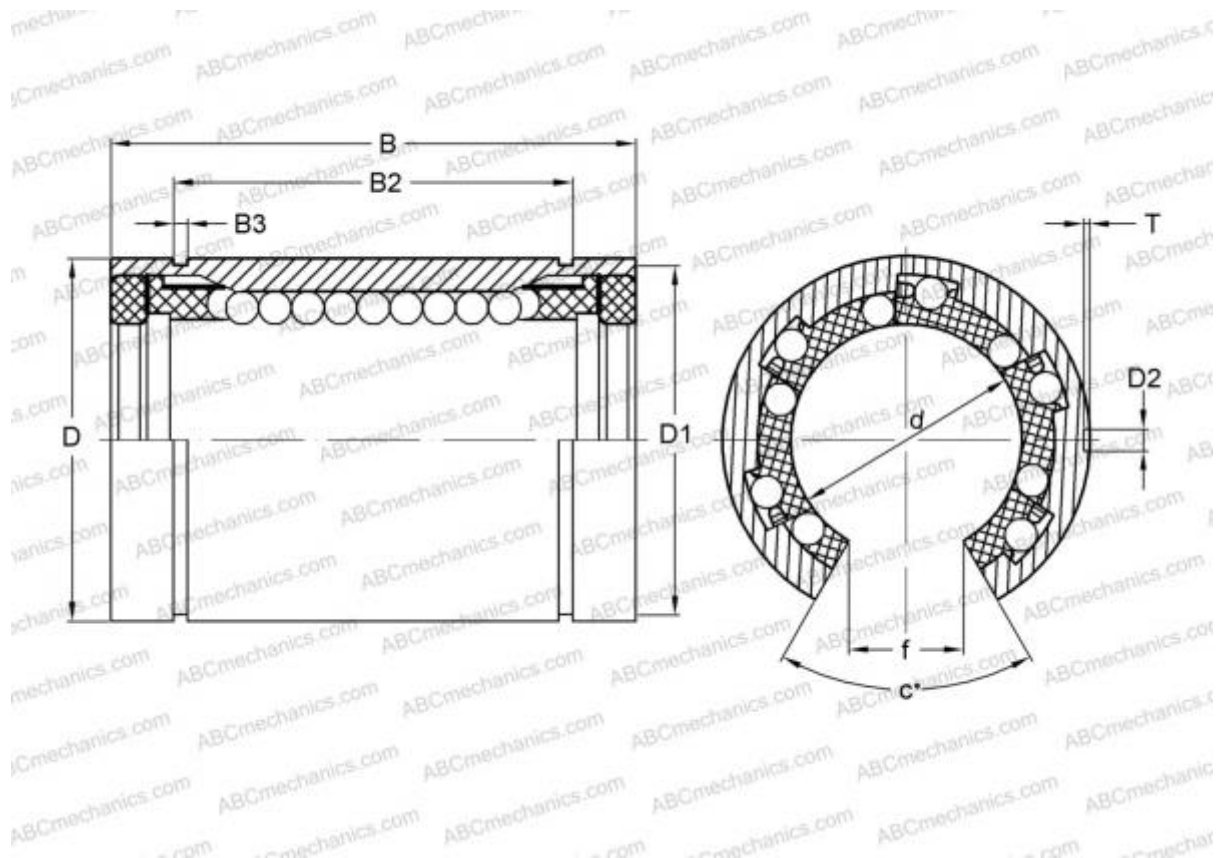


KBO50-PP INA

Linear bushing

TYPE: Shaft guidance systems, Linear bushing, Standard, Open type for support rail, Type LBE..UU OP, KBO..PP, LBCT..2LS, sealed on both sides



Technical specification

DIMENSIONS, MM

d	50,000
D	75,000
B	100,000
D1	72,000
D2	3,000
B2	77,300
B3	2,650
T	1,500
f	22,700
c	54,000

WEIGHT 0,850

MANUFACTURER [INA](#)

INTERCHANGE

ABC	LBE 50 UU OP
IKO	LBE 50 UU OP
STAR	0632-050-00
THOMSON	0632-050-00
SKF	LBCT 50-2LS
FAG	LAN 50x75x100.2RS

REPLACES

KBO 50100 PP