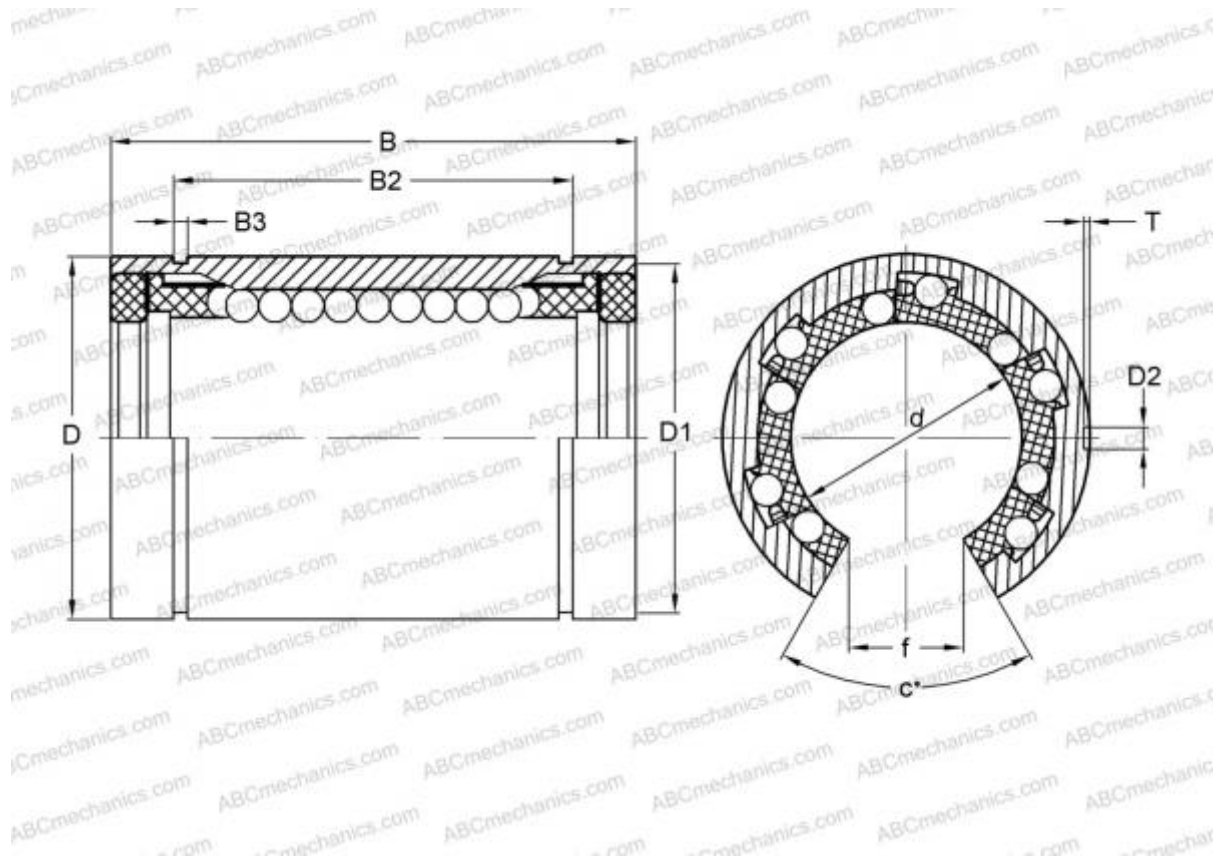


LBCT 50-2LS SKF

Linear bushing

TYPE: Shaft guidance systems, Linear bushing, Standard, Open type for support rail, Type LBE..UU OP, KBO..PP, LBCT..2LS, sealed on both sides



Technical specification

DIMENSIONS, MM

| | |
|---|---------|
| d | 50,000 |
| D | 75,000 |
| B | 100,000 |
| f | 21,000 |
| c | 50,000 |

WEIGHT 0,815

MANUFACTURER [SKF](#)

INTERCHANGE

| | |
|---------|------------------------------|
| ABC | LBE 50 UU OP |
| IKO | LBE 50 UU OP |
| STAR | 0632-050-00 |
| THOMSON | 0632-050-00 |
| INA | KBO50-PP |

INTERCHANGE

FAG [LAN 50x75x100.2RS](#)