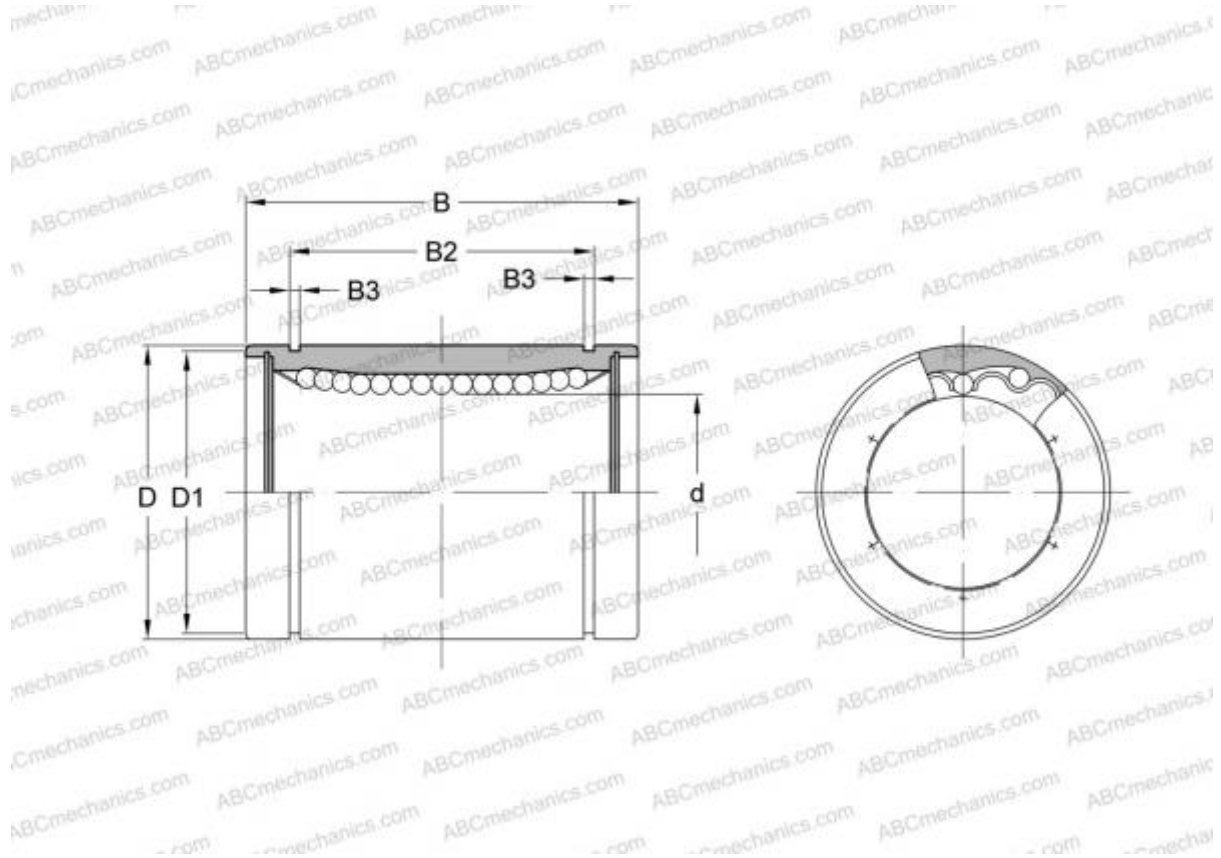


A-61014 THOMSON

Linear bushing

TYPE: Shaft guidance systems, Linear bushing, Standard, Close type, Type LBB, inch



Technical specification

DIMENSIONS, MM

| | |
|---|--------|
| d | 9,525 |
| D | 15,875 |
| B | 22,225 |

WEIGHT, KG 0,010

MANUFACTURER [THOMSON](#)

INTERCHANGE

| | |
|------|-------------------------|
| ABC | LBB 6 |
| IKO | LBB 6 |
| HEIM | LBB-375 |