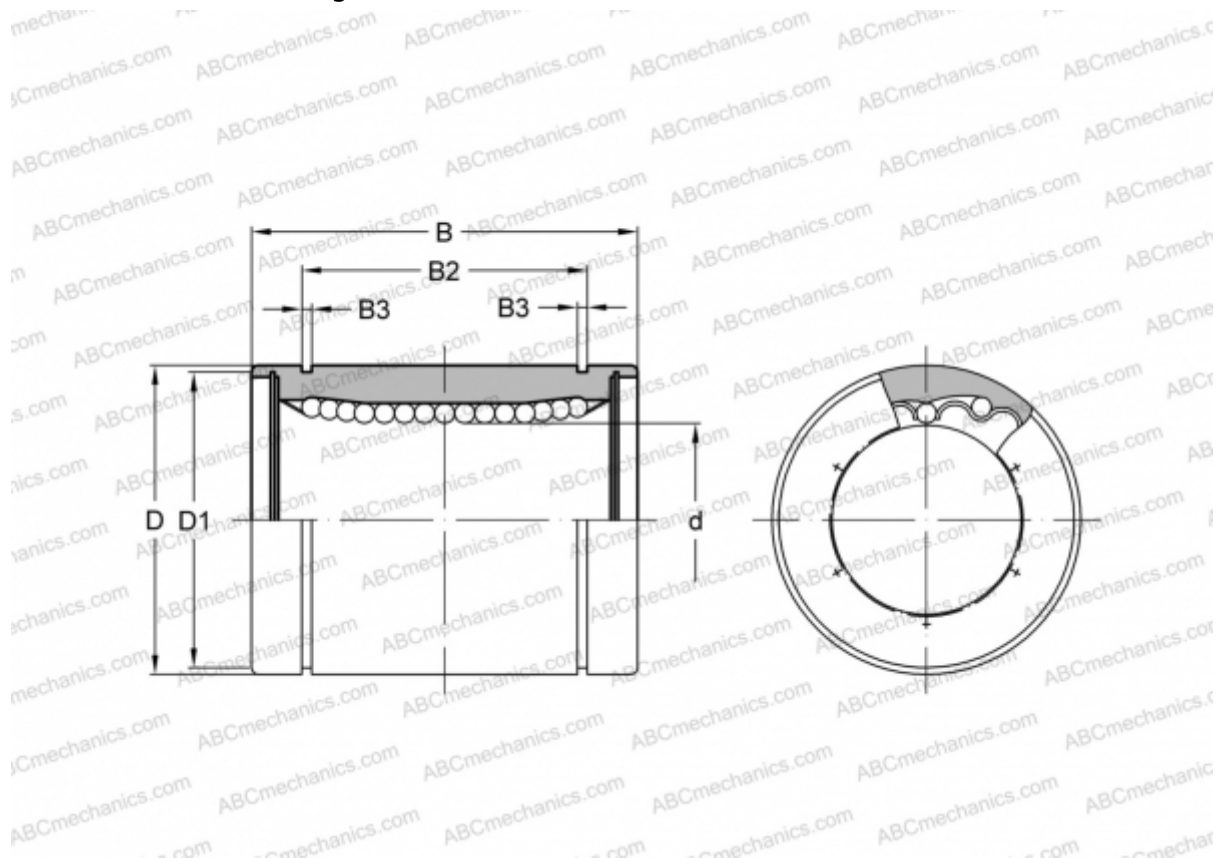


SMS 3G NB

Linear bushing

TYPE: Shaft guidance systems, Linear bushing, Standard, Close type, Type SM, Asian standard, Corrosion resistance, Plastic cage (NB)



Technical specification

DIMENSIONS, MM

d	3,000
D	7,000
B	10,000

WEIGHT, KG 0,001

MANUFACTURER [NB](#)