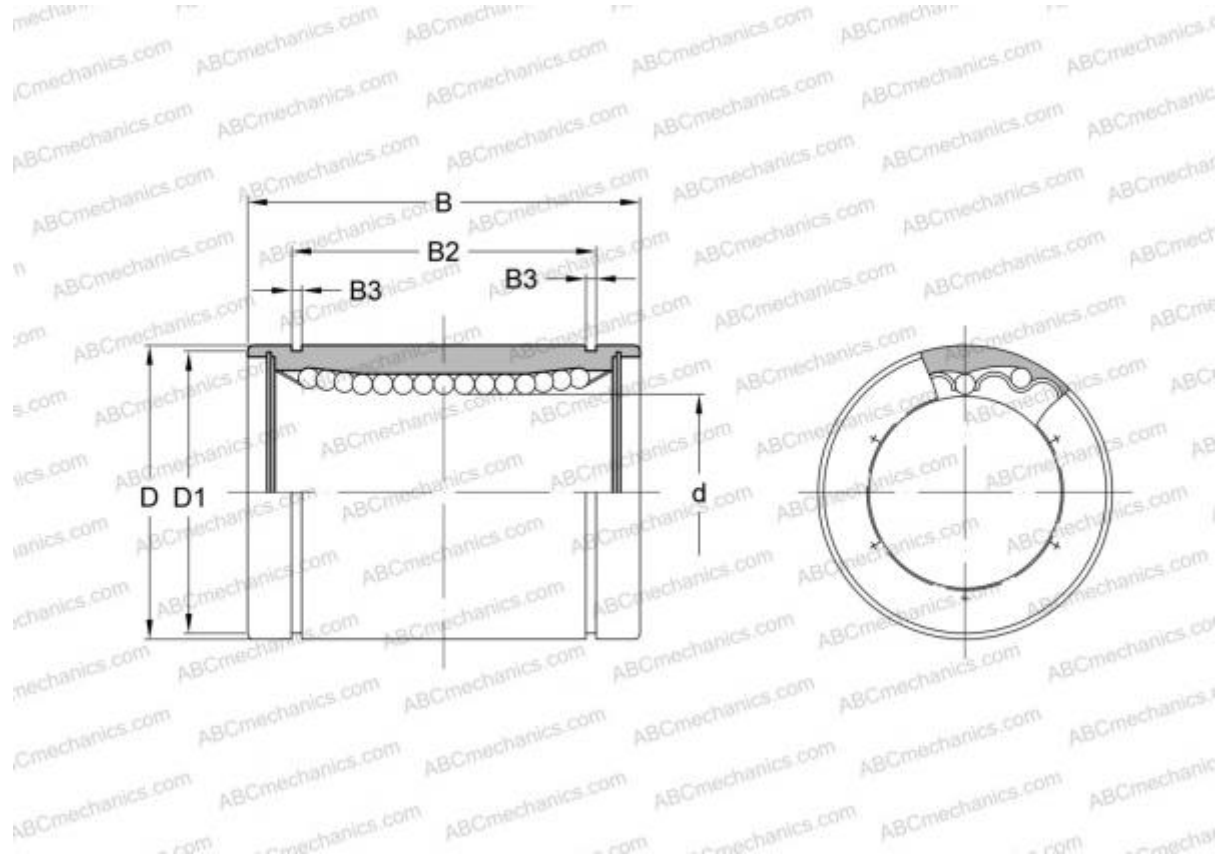


LBB 12 ABC

Linear bushing

TYPE: Shaft guidance systems, Linear bushing, Standard, Close type, Type LBB, inch



Technical specification

DIMENSIONS, MM

d	19,050
D	31,750
B	41,275

WEIGHT, KG 0,080

MANUFACTURER [ABC](#)

INTERCHANGE

IKO	LBB 12
THOMSON	A-122026
HEIM	LBB-750