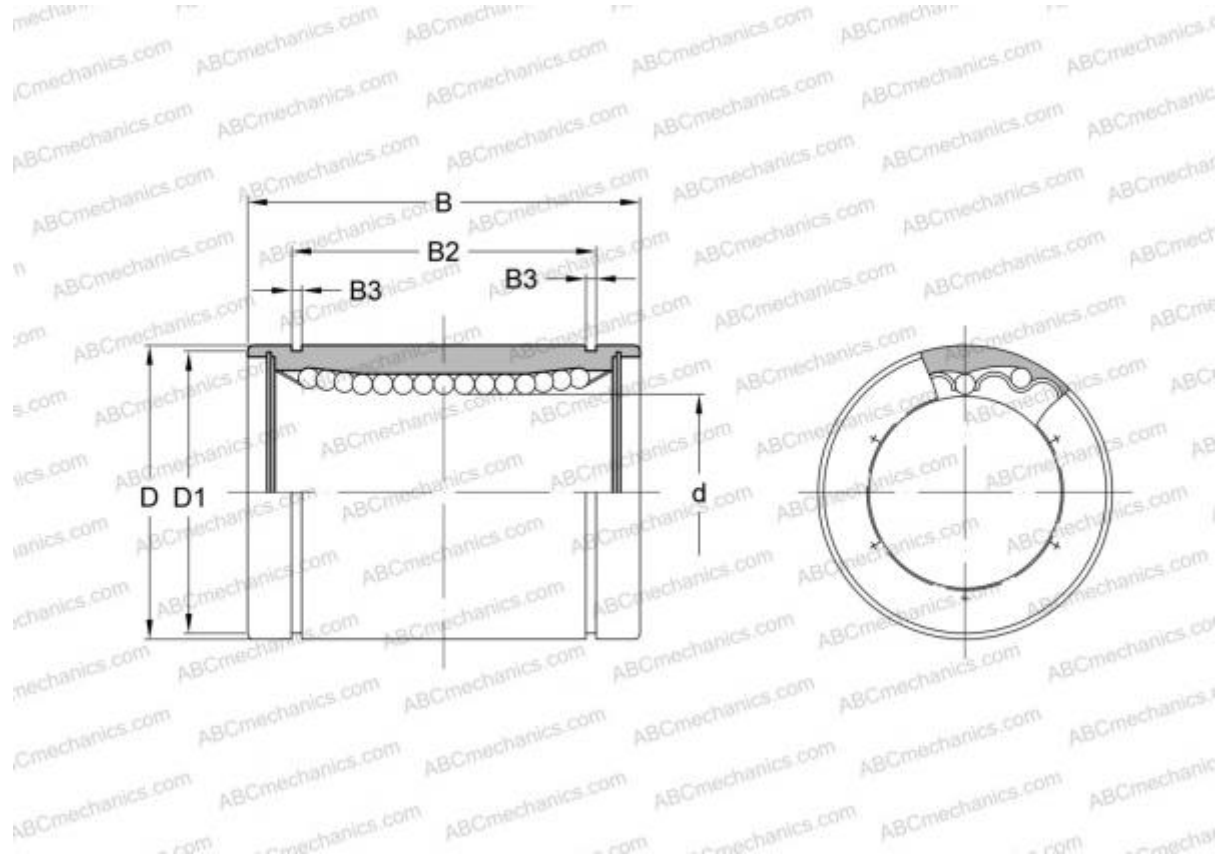


LBB 20 IKO

Linear bushing

TYPE: Shaft guidance systems, Linear bushing, Standard, Close type, Type LBB, inch



Technical specification

DIMENSIONS, MM

d	31,750
D	50,800
B	66,675

WEIGHT, KG 0,325

MANUFACTURER [IKO](#)

INTERCHANGE

ABC	LBB 20
THOMSON	A-203242
HEIM	LBB-1250

CALCULATION DATA

Basic static load rating max	4,570 kN
------------------------------	----------

CALCULATION DATA

Basic dynamic load rating min	1,920 kN
Basic dynamic load rating max	2,030 kN
Basic static load rating min	3,570 kN