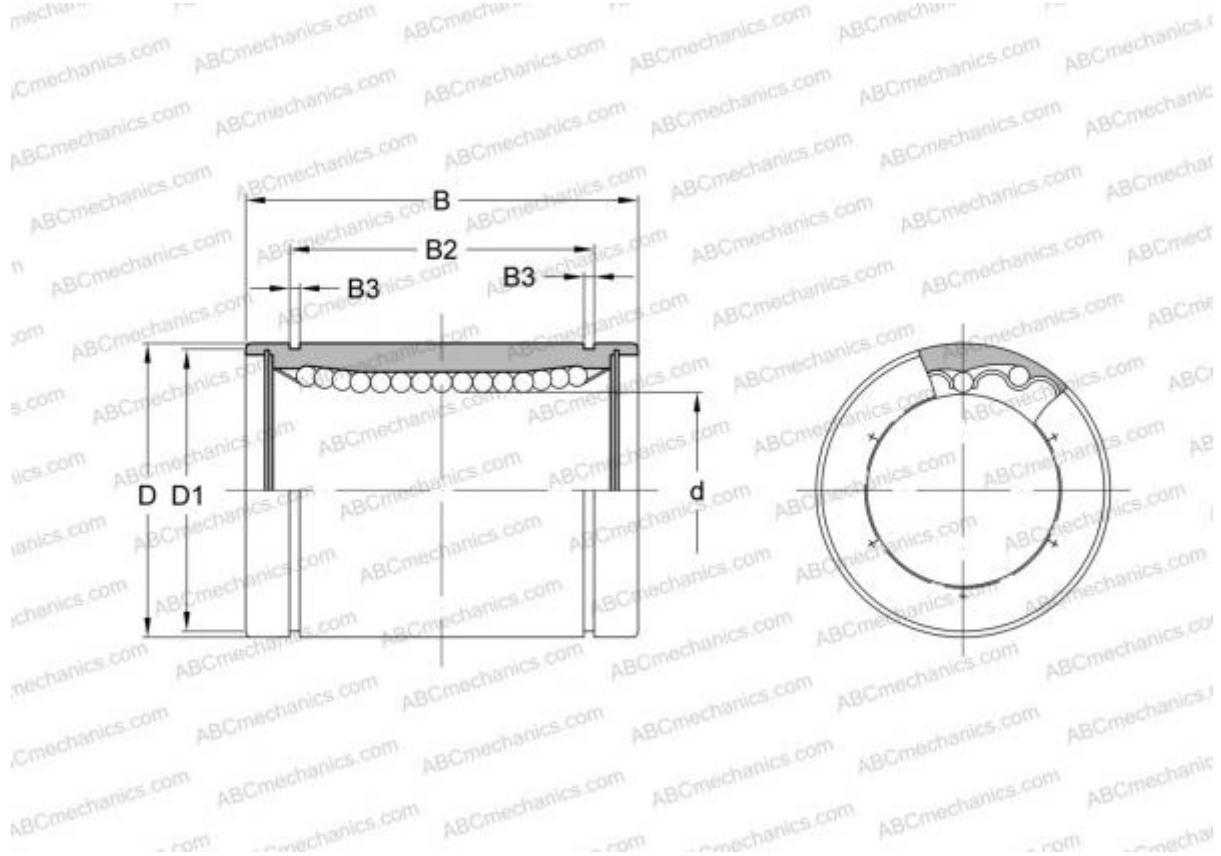


## A-203242 THOMSON

Linear bushing

TYPE: Shaft guidance systems, Linear bushing, Standard, Close type, Type LBB, inch



### Technical specification

#### DIMENSIONS, MM

d	31,750
D	50,800
B	66,675

**WEIGHT, KG** 0,325

**MANUFACTURER** [THOMSON](#)

#### INTERCHANGE

ABC	<a href="#">LBB 20</a>
IKO	<a href="#">LBB 20</a>
HEIM	<a href="#">LBB-1250</a>