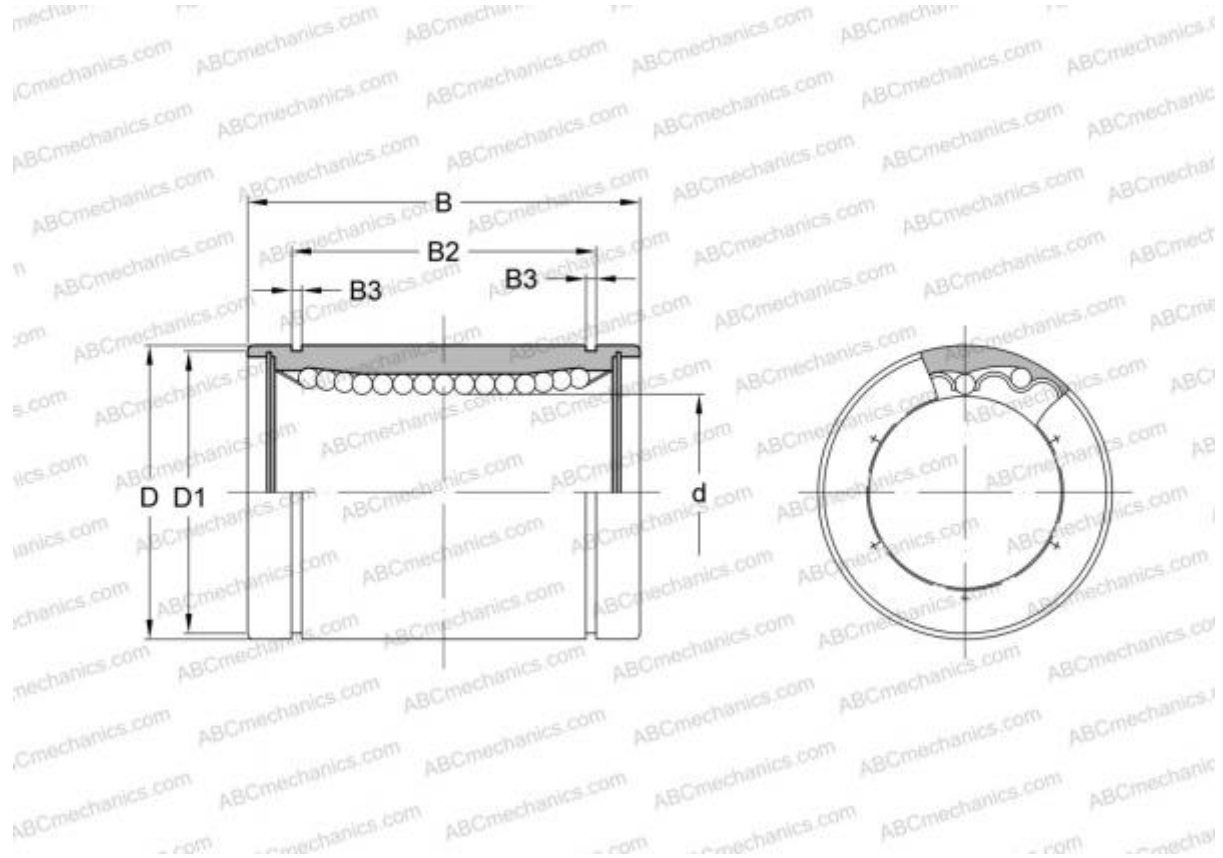


LBB-1250 HEIM

Linear bushing

TYPE: Shaft guidance systems, Linear bushing, Standard, Close type, Type LBB, inch



Technical specification

DIMENSIONS, MM

d	31,750
D	50,800
B	66,675

WEIGHT, KG 0,325

MANUFACTURER [HEIM](#)

INTERCHANGE

ABC	LBB 20
IKO	LBB 20
THOMSON	A-203242