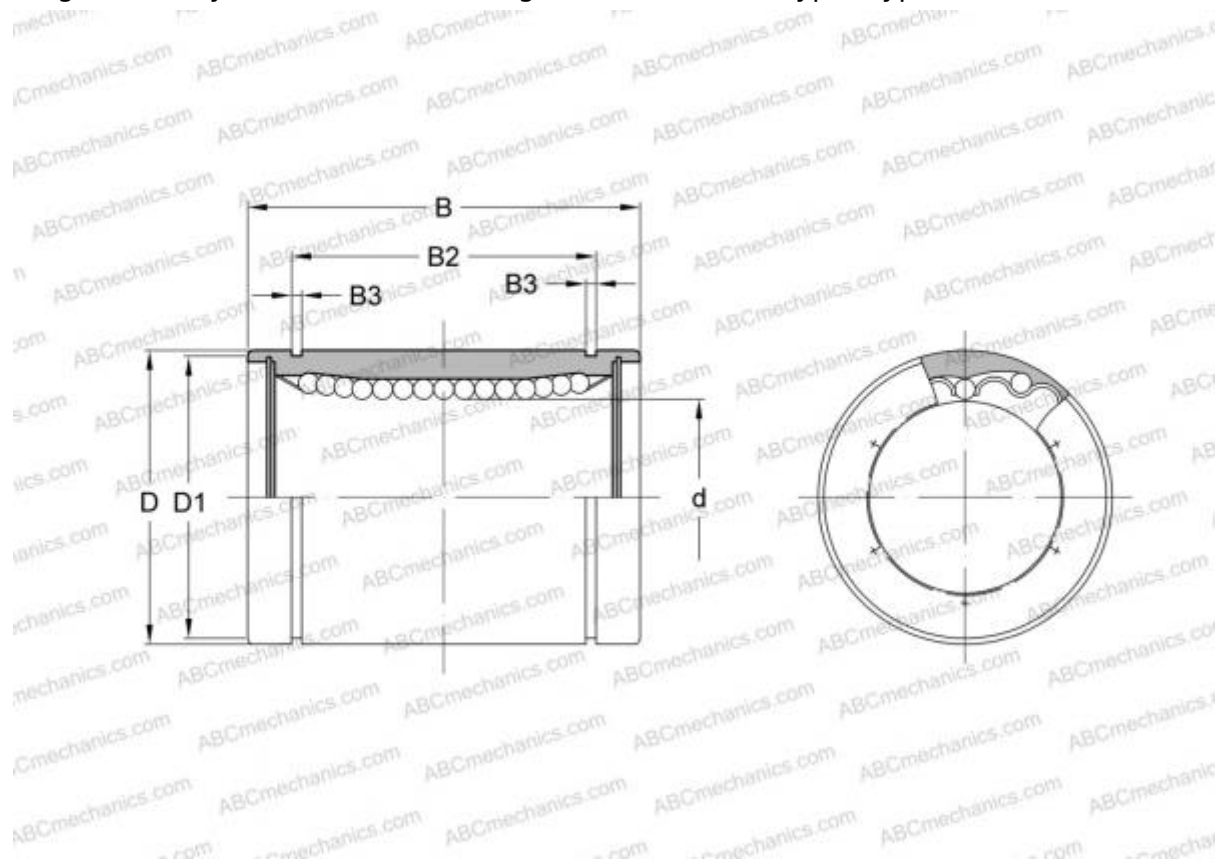


LBB 32 IKO

Linear bushing

TYPE: Shaft guidance systems, Linear bushing, Standard, Close type, Type LBB, inch



Technical specification

DIMENSIONS, MM

d	50,800
D	76,200
B	101,600

WEIGHT, KG 1,040

MANUFACTURER [IKO](#)

INTERCHANGE

ABC	LBB 32
THOMSON	A-324864
HEIM	LBB-2000

CALCULATION DATA

Basic dynamic load rating min	3,960 kN
Basic dynamic load rating max	4,190 kN
Basic static load rating min	7,140 kN

CALCULATION DATA

Basic static load rating max	9,130 kN
------------------------------	----------