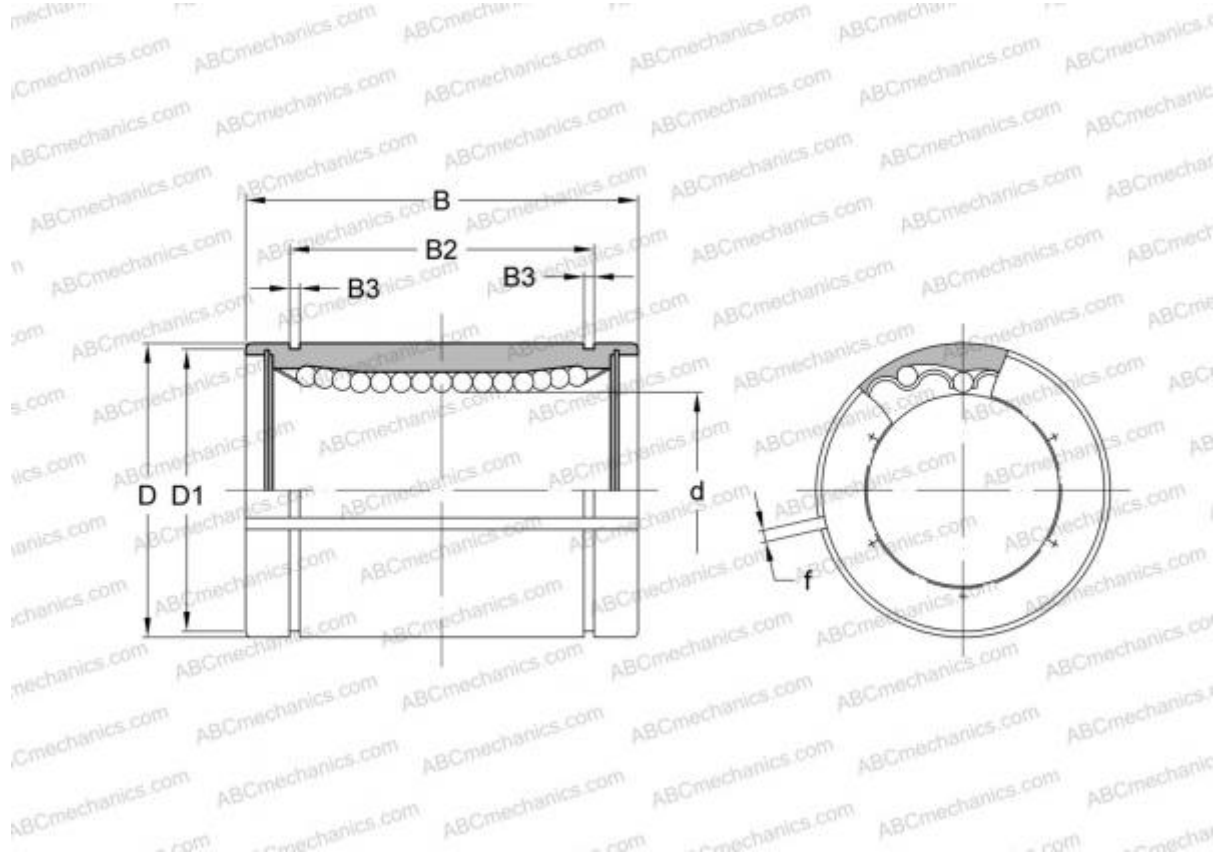


LBB 8 AJ ABC

Linear bushing

TYPE: Shaft guidance systems, Linear bushing, Standard, Adjustable type, Type LBB..AJ, inch



Technical specification

DIMENSIONS, MM

d	12,700
D	22,225
B	31,750
f	1,588

WEIGHT 0,032

MANUFACTURER [ABC](#)

INTERCHANGE

IKO	LBB 8 AJ
THOMSON	ADJ-81420
HEIM	ADJ-500