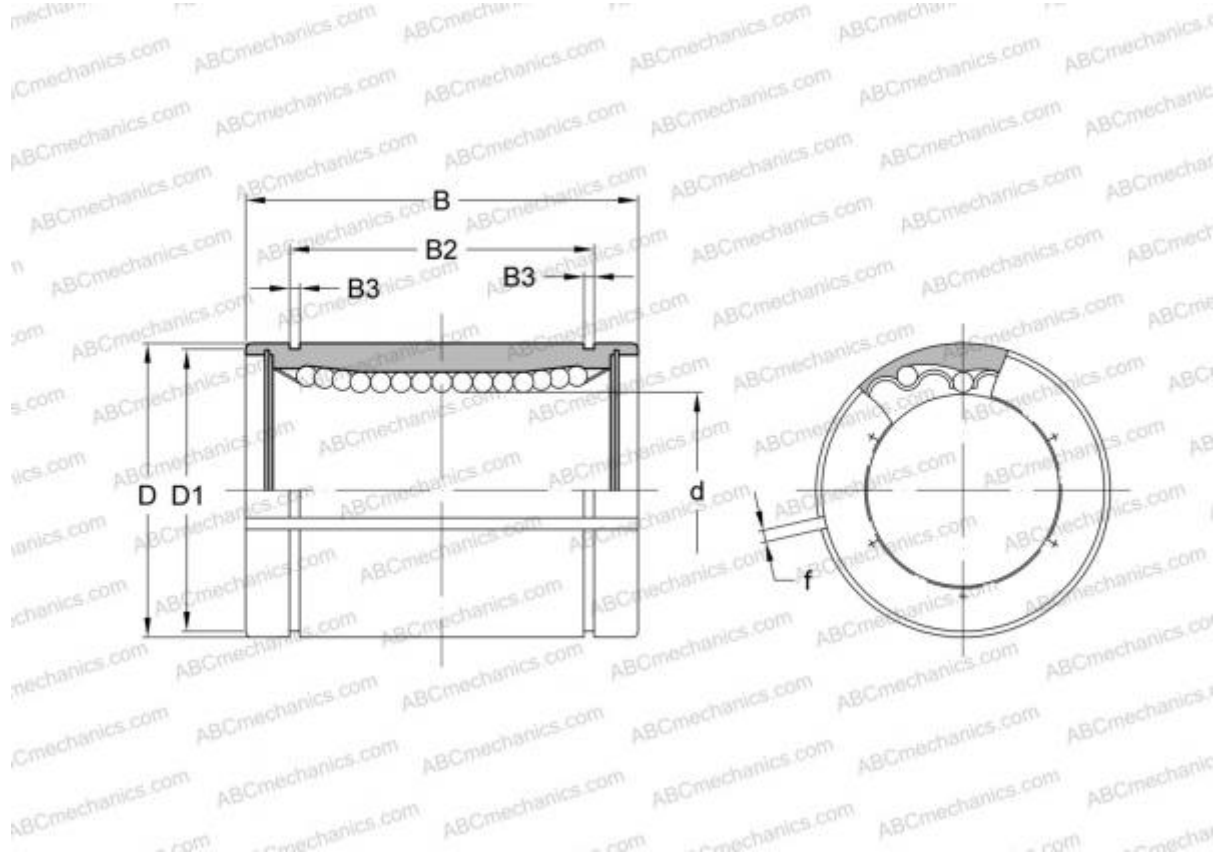


ADJ-81420 THOMSON

Linear bushing

TYPE: Shaft guidance systems, Linear bushing, Standard, Adjustable type, Type LBB..AJ, inch



Technical specification

DIMENSIONS, MM

d	12,700
D	22,225
B	31,750
f	1,588

WEIGHT 0,032

MANUFACTURER [THOMSON](#)

INTERCHANGE

ABC	LBB 8 AJ
IKO	LBB 8 AJ
HEIM	ADJ-500