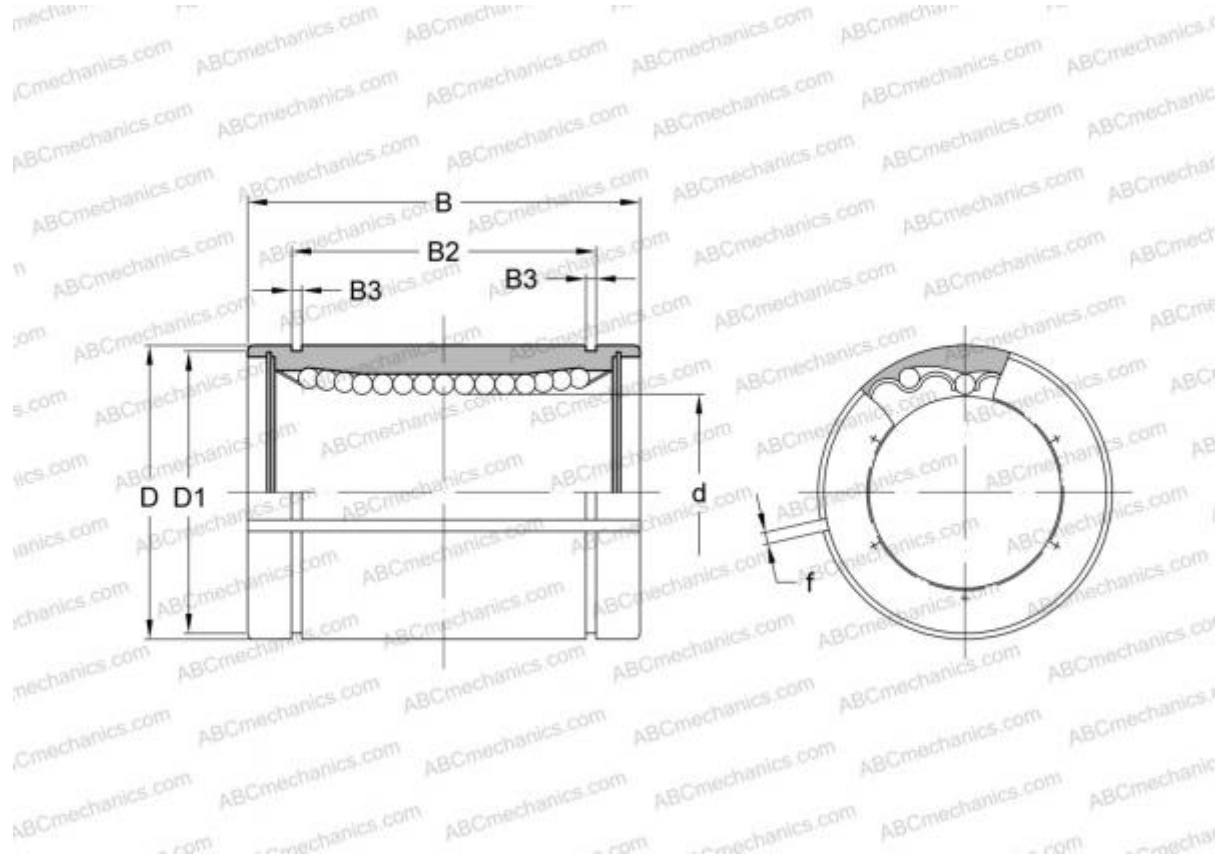


LBB 16 AJ IKO

Linear bushing

TYPE: Shaft guidance systems, Linear bushing, Standard, Adjustable type, Type LBB..AJ, inch



Technical specification

DIMENSIONS, MM

d	25,400
D	39,688
B	57,150
f	2,381

WEIGHT, KG 0,145

MANUFACTURER [IKO](#)

INTERCHANGE

ABC	LBB 16 AJ
THOMSON	ADJ-162536
HEIM	ADJ-1000

CALCULATION DATA

Basic dynamic load rating min	1,070 kN
Basic dynamic load rating max	1,280 kN

CALCULATION DATA

Basic static load rating min	2,020 kN
Basic static load rating max	2,960 kN