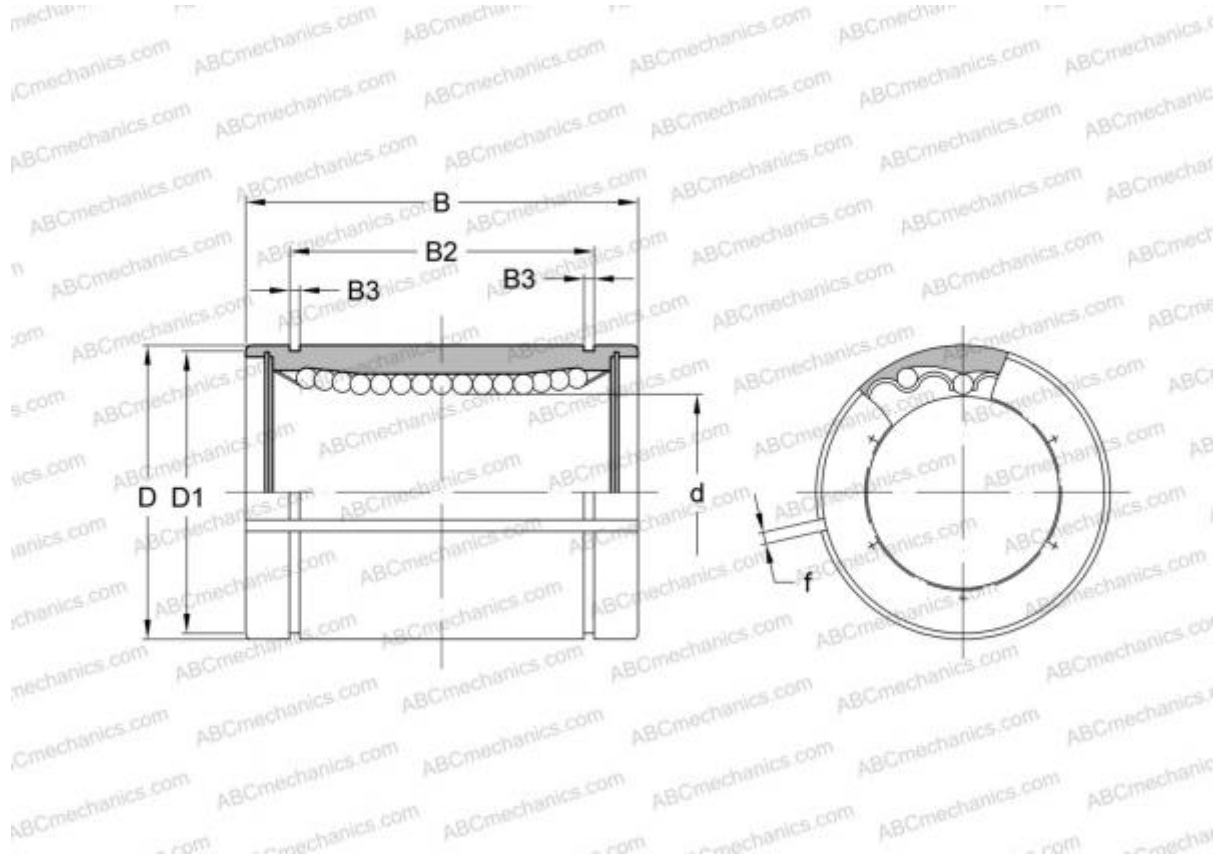


LBB 20 AJ ABC

Linear bushing

TYPE: Shaft guidance systems, Linear bushing, Standard, Adjustable type, Type LBB..AJ, inch



Technical specification

DIMENSIONS, MM

d	31,750
D	50,800
B	66,675
f	2,381

WEIGHT, KG 0,320

MANUFACTURER [ABC](#)

INTERCHANGE

IKO	LBB 20 AJ
THOMSON	ADJ-203242
HEIM	ADJ-1250