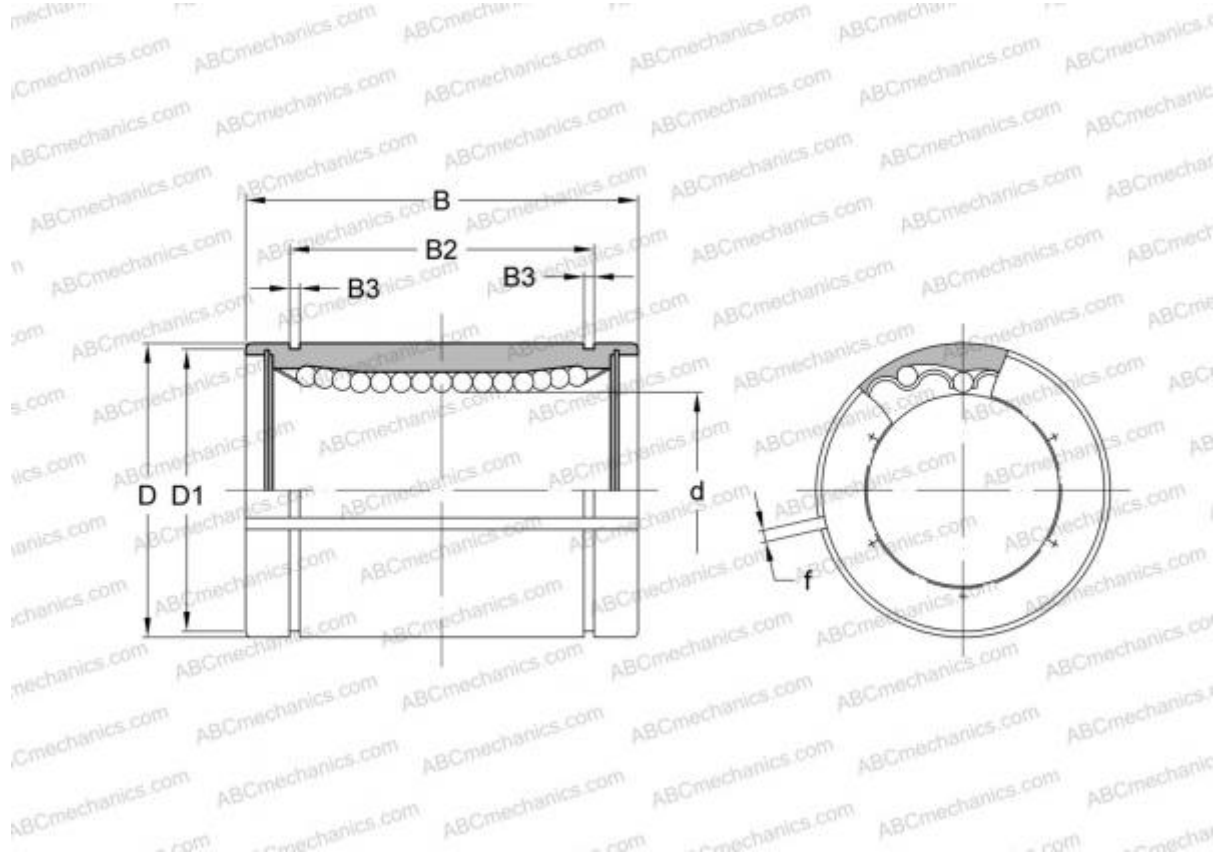


ADJ-324864 THOMSON

Linear bushing

TYPE: Shaft guidance systems, Linear bushing, Standard, Adjustable type, Type LBB..AJ, inch



Technical specification

DIMENSIONS, MM

d	50,800
D	76,200
B	101,600
f	3,175

WEIGHT, KG 1,030

MANUFACTURER [THOMSON](#)

INTERCHANGE

ABC	LBB 32 AJ
IKO	LBB 32 AJ
HEIM	ADJ-2000