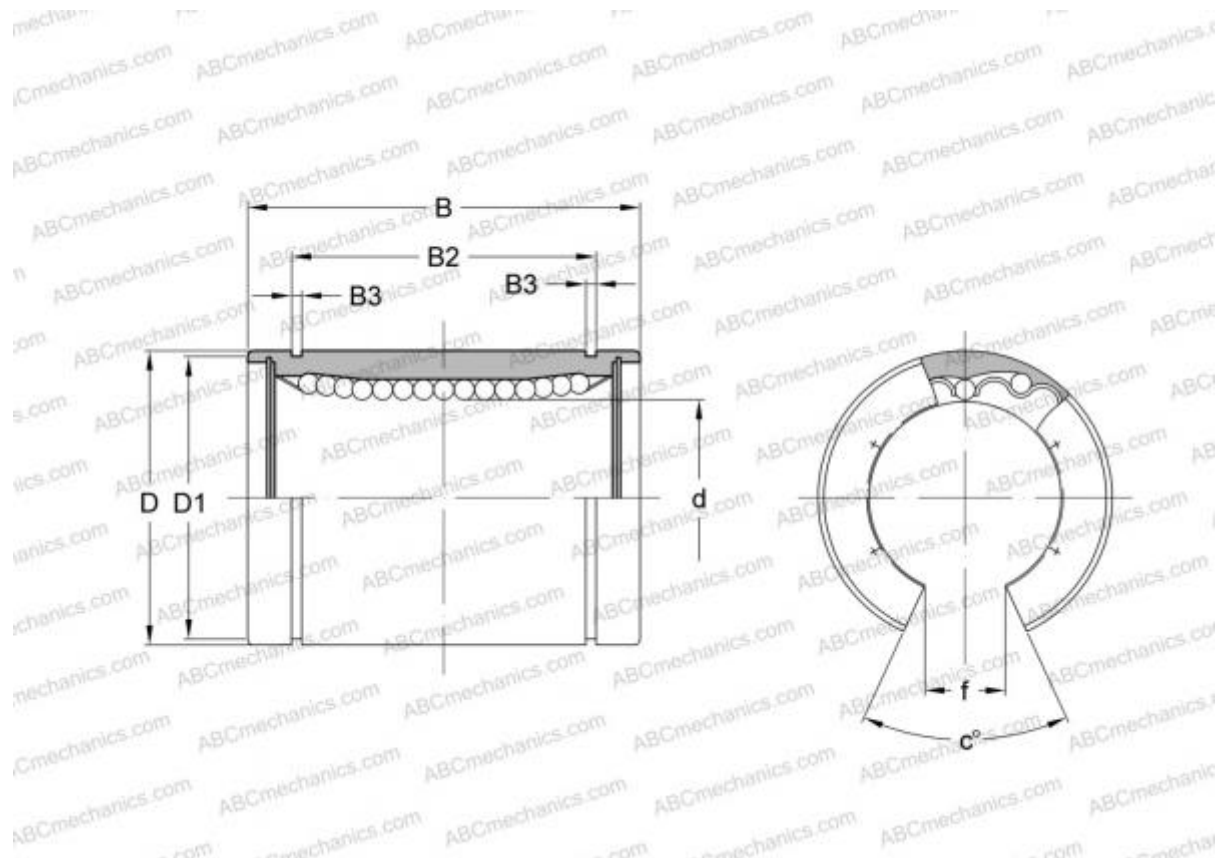


## LBB 16 OP IKO

Linear bushing

TYPE: Shaft guidance systems, Linear bushing, Standard, Open type for support rail, Type LBB..OP, inch



### Technical specification

#### DIMENSIONS, MM

d	25,400
D	39,688
B	57,150
f	14,288
c	60,000

**WEIGHT, KG** 0,127

**MANUFACTURER** [IKO](#)

#### INTERCHANGE

ABC	<a href="#">LBB 16 OP</a>
THOMSON	<a href="#">OPN-162536</a>
HEIM	<a href="#">OPN-1000</a>

#### CALCULATION DATA

Basic dynamic load rating min	1,070 kN
-------------------------------	----------

#### CALCULATION DATA

Basic dynamic load rating max	1,280 kN
Basic static load rating min	2,020 kN
Basic static load rating max	2,960 kN