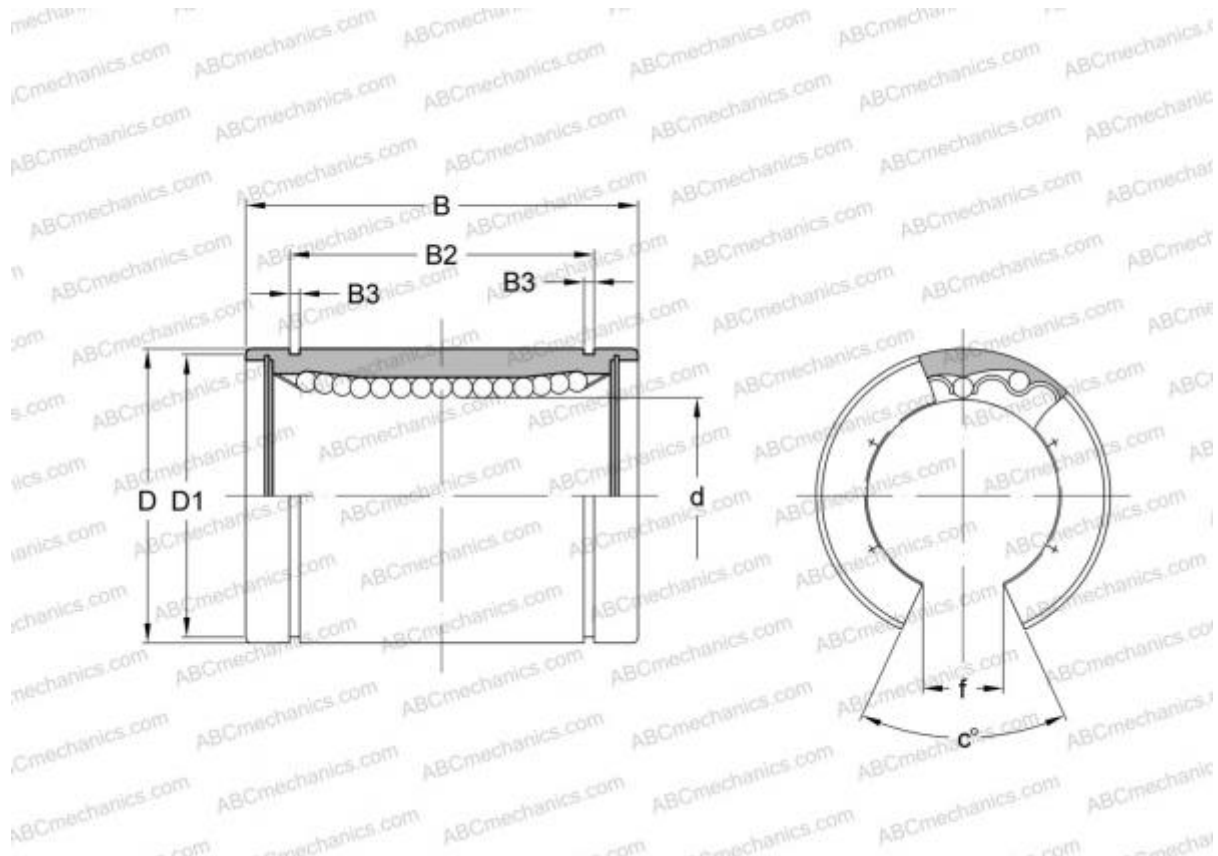


OPN-162536 THOMSON

Linear bushing

TYPE: Shaft guidance systems, Linear bushing, Standard, Open type for support rail, Type LBB..OP, inch



Technical specification

DIMENSIONS, MM

d	25,400
D	39,688
B	57,150
f	14,288
c	60,000

WEIGHT, KG 0,127

MANUFACTURER [THOMSON](#)

INTERCHANGE

ABC	LBB 16 OP
IKO	LBB 16 OP
HEIM	OPN-1000