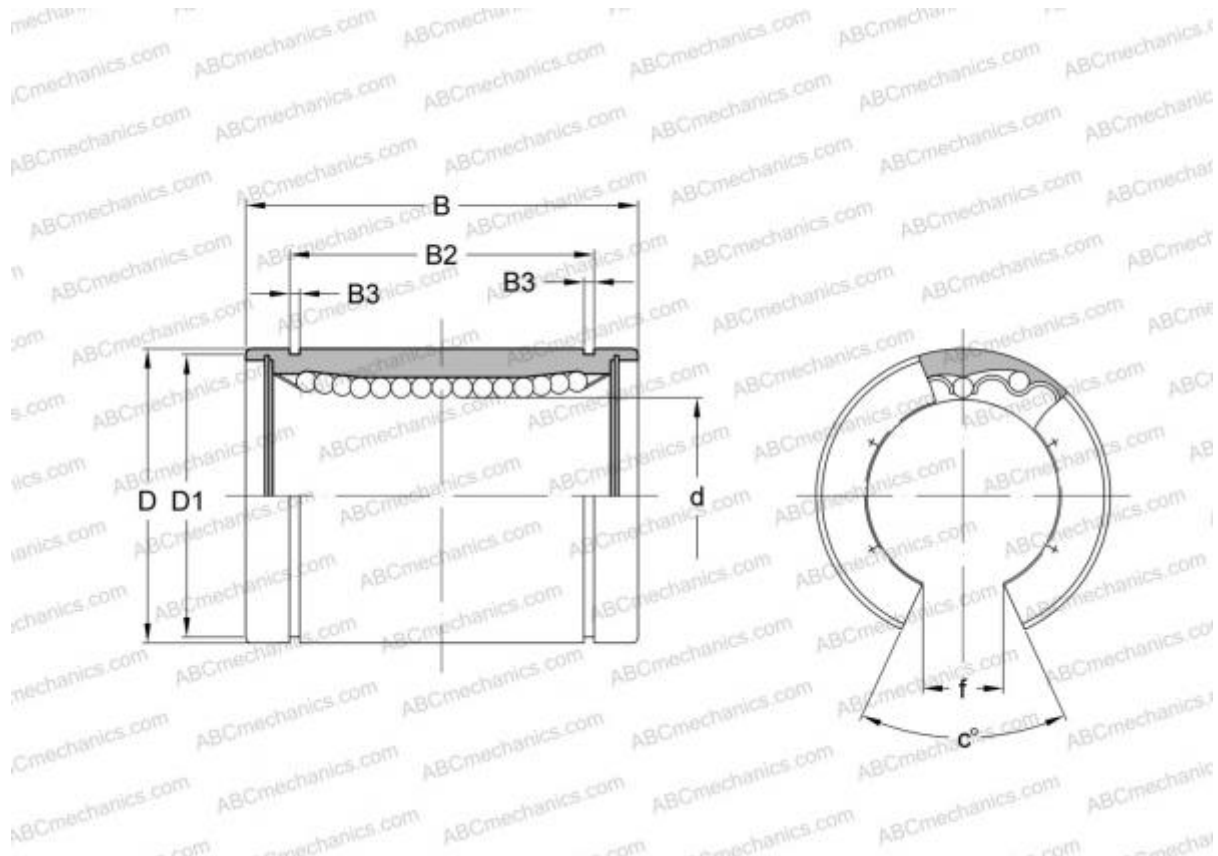


## OPN-1250 HEIM

Linear bushing

TYPE: Shaft guidance systems, Linear bushing, Standard, Open type for support rail, Type LBB..OP, inch



### Technical specification

#### DIMENSIONS, MM

d	31,750
D	50,800
B	66,675
f	15,875
c	50,000

**WEIGHT, KG** 0,285

**MANUFACTURER** [HEIM](#)

#### INTERCHANGE

ABC	<a href="#">LBB 20 OP</a>
IKO	<a href="#">LBB 20 OP</a>
THOMSON	<a href="#">OPN-203242</a>