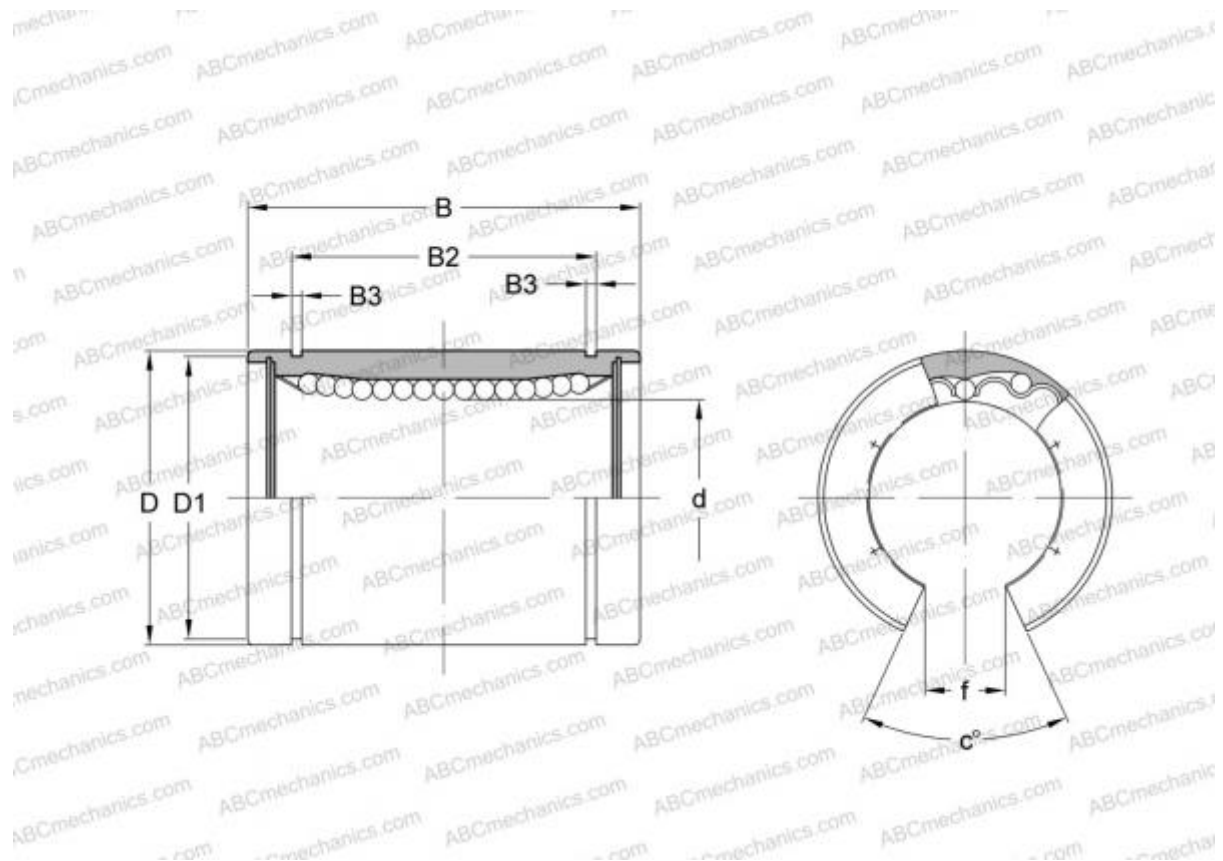


LBB 24 OP IKO

Linear bushing

TYPE: Shaft guidance systems, Linear bushing, Standard, Open type for support rail, Type LBB..OP, inch



Technical specification

DIMENSIONS, MM

d	38,100
D	60,325
B	76,200
f	19,050
c	50,000

WEIGHT, KG 0,470

MANUFACTURER [IKO](#)

INTERCHANGE

ABC	LBB 24 OP
THOMSON	OPN-243848
HEIM	OPN-1500

CALCULATION DATA

Basic dynamic load rating min	2,460 kN
-------------------------------	----------

CALCULATION DATA

Basic dynamic load rating max	2,610 kN
Basic static load rating min	4,330 kN
Basic static load rating max	5,540 kN