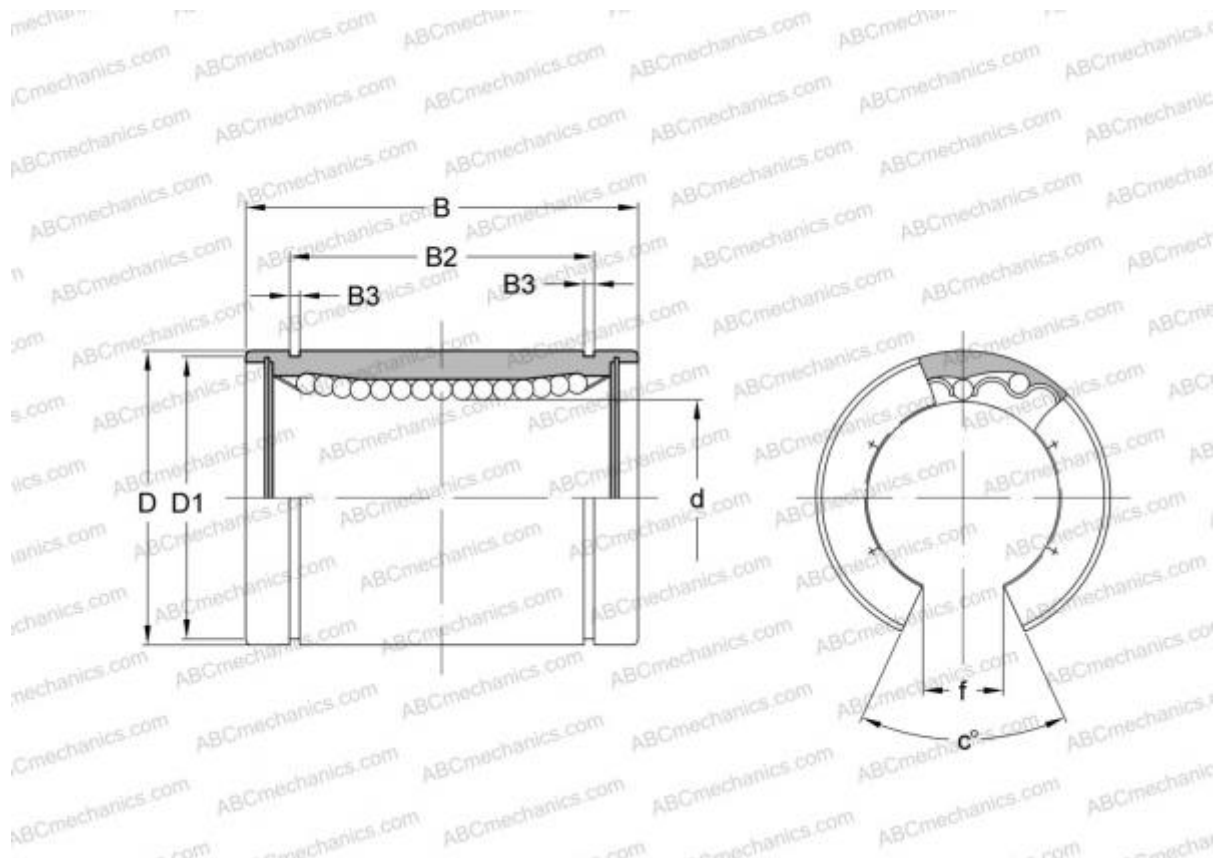


## LBB 32 OP ABC

Linear bushing

TYPE: Shaft guidance systems, Linear bushing, Standard, Open type for support rail, Type LBB..OP, inch



### Technical specification

#### DIMENSIONS, MM

d	50,800
D	76,200
B	101,600
f	25,400
c	50,000

**WEIGHT** 0,915

**MANUFACTURER** [ABC](#)

#### INTERCHANGE

IKO	<a href="#">LBB 32 OP</a>
THOMSON	<a href="#">OPN-324864</a>
HEIM	<a href="#">OPN-2000</a>