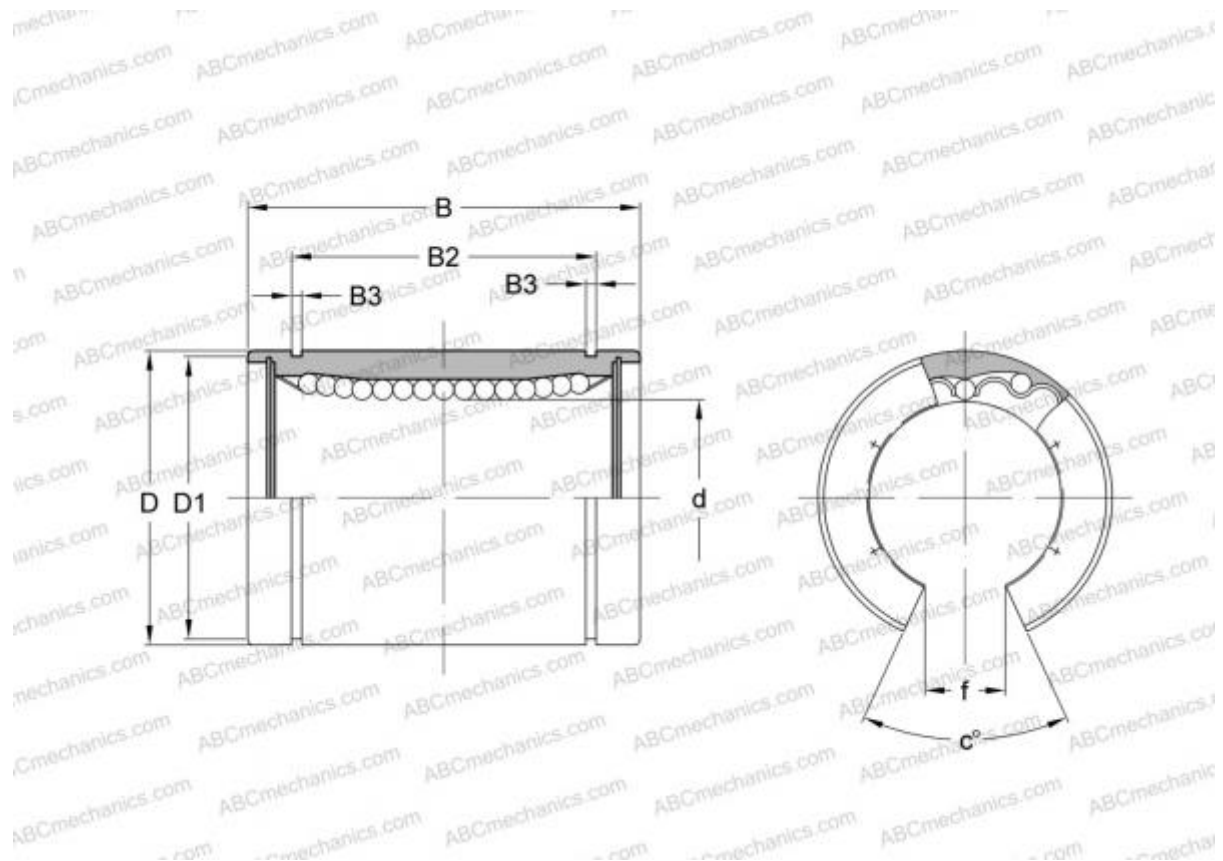


LBB 32 OP IKO

Linear bushing

TYPE: Shaft guidance systems, Linear bushing, Standard, Open type for support rail, Type LBB..OP, inch



Technical specification

DIMENSIONS, MM

d	50,800
D	76,200
B	101,600
f	25,400
c	50,000

WEIGHT 0,915

MANUFACTURER [IKO](#)

INTERCHANGE

ABC	LBB 32 OP
THOMSON	OPN-324864
HEIM	OPN-2000

CALCULATION DATA

Basic dynamic load rating min	3,960 kN
-------------------------------	----------

CALCULATION DATA

Basic dynamic load rating max	4,190 kN
Basic static load rating min	7,140 kN
Basic static load rating max	9,130 kN