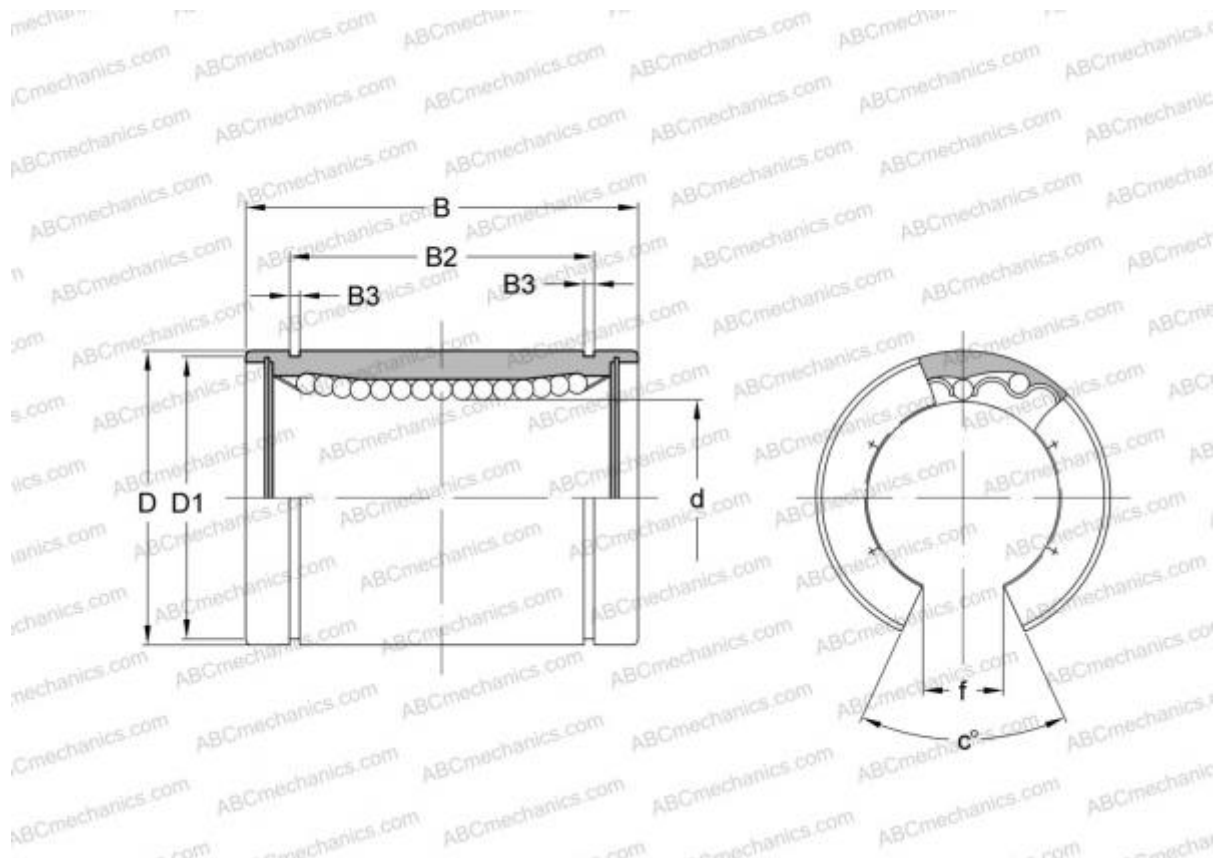


OPN-324864 THOMSON

Linear bushing

TYPE: Shaft guidance systems, Linear bushing, Standard, Open type for support rail, Type LBB..OP, inch



Technical specification

DIMENSIONS, MM

d	50,800
D	76,200
B	101,600
f	25,400
c	50,000

WEIGHT 0,915

MANUFACTURER [THOMSON](#)

INTERCHANGE

ABC	LBB 32 OP
IKO	LBB 32 OP
HEIM	OPN-2000