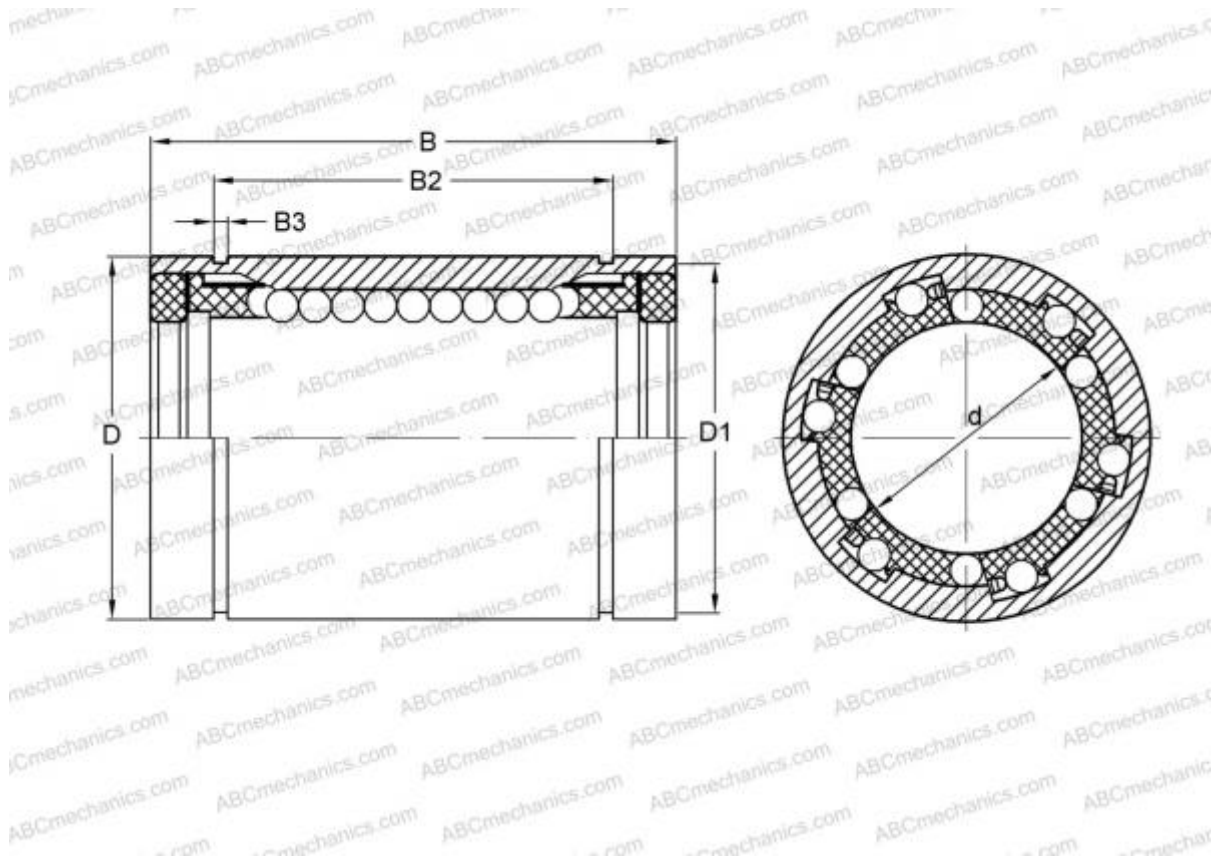


LBB 4 UU ABC

Linear bushing

TYPE: Shaft guidance systems, Linear bushing, Standard, Close type, Type LBB..UU, sealed on both sides, inch



Technical specification

DIMENSIONS, MM

d	6,350
D	12,700
B	19,050

WEIGHT 0,007

MANUFACTURER [ABC](#)

INTERCHANGE

IKO	LBB 4 UU
HEIM	LBB-250 PP