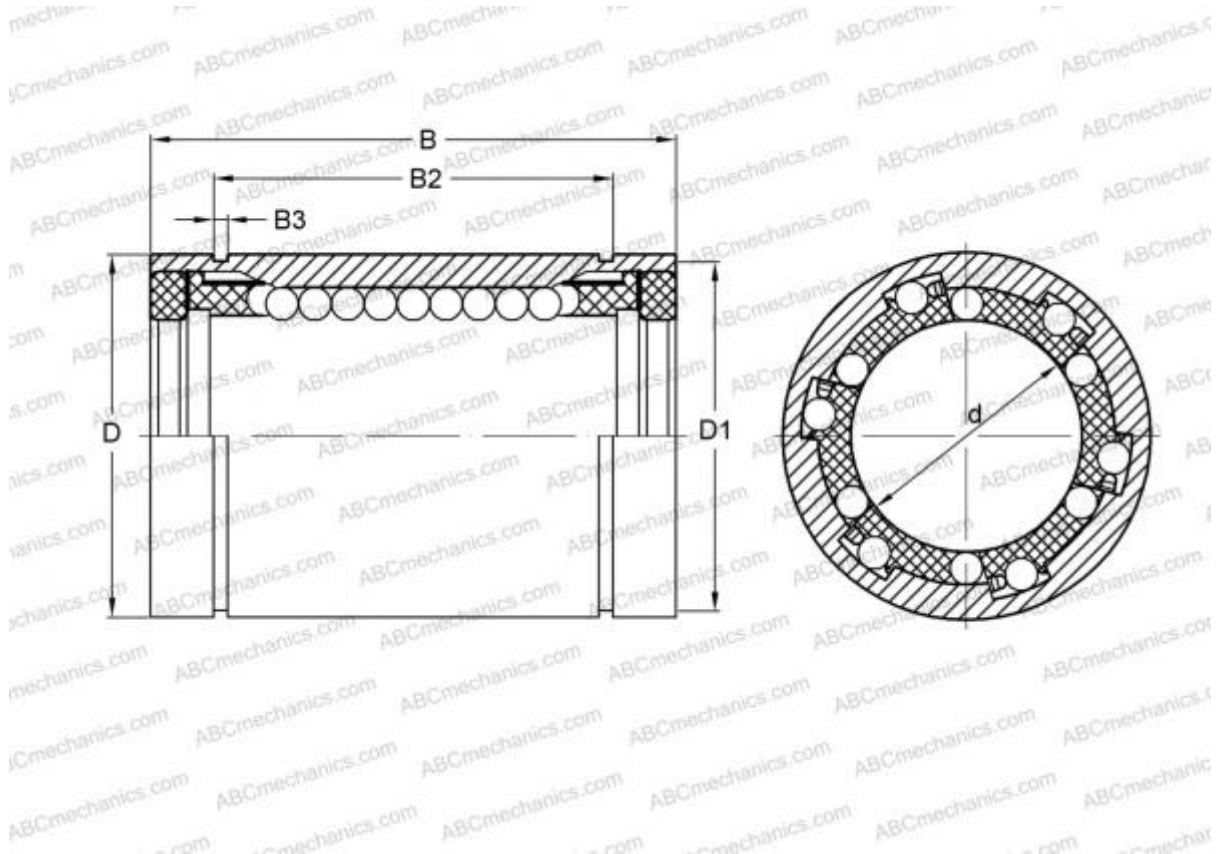


LBB 16 UU ABC

Linear bushing

TYPE: Shaft guidance systems, Linear bushing, Standard, Close type, Type LBB..UU, sealed on both sides, inch



Technical specification

DIMENSIONS, MM

d	25,400
D	39,688
B	57,150

WEIGHT, KG 0,148

MANUFACTURER [ABC](#)

INTERCHANGE

IKO	LBB 16 UU
HEIM	LBB-1000 PP