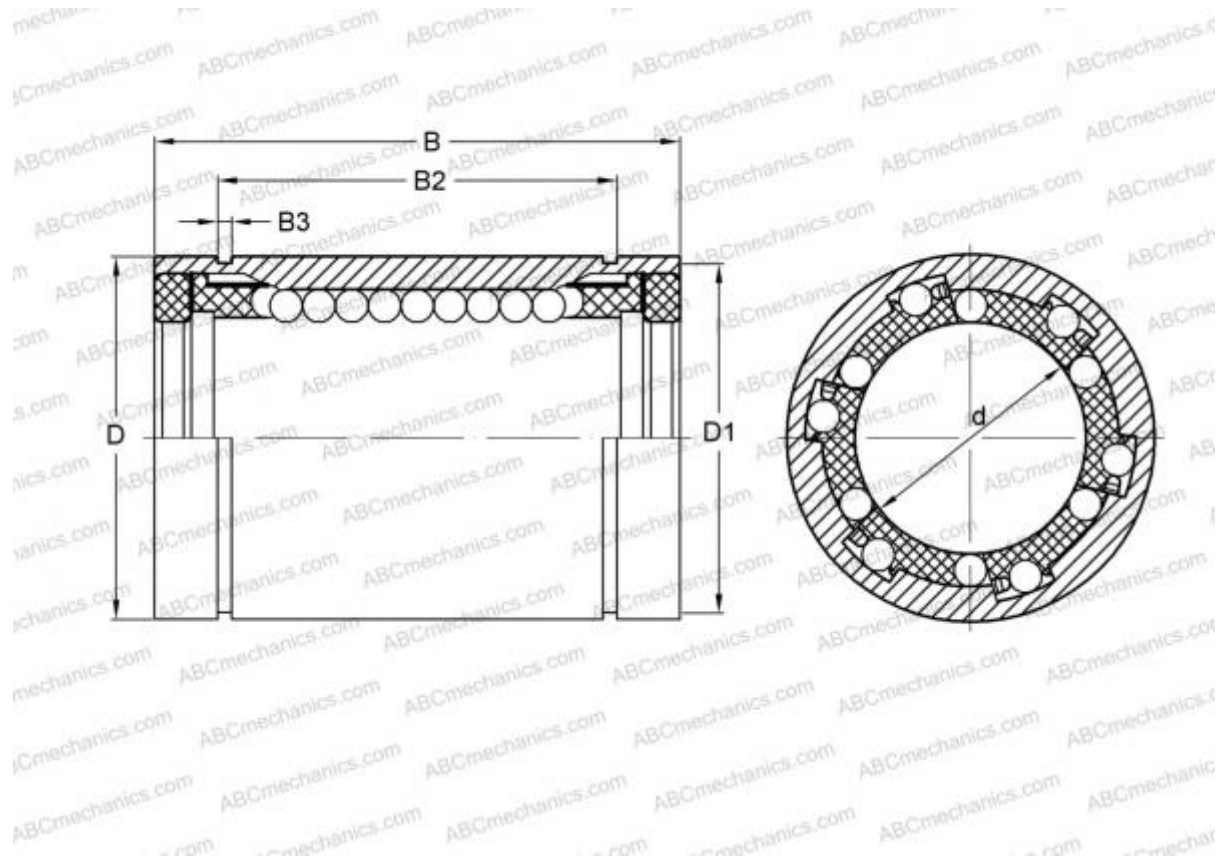


LBB 16 UU IKO

Linear bushing

TYPE: Shaft guidance systems, Linear bushing, Standard, Close type, Type LBB..UU, sealed on both sides, inch



Technical specification

DIMENSIONS, MM

d	25,400
D	39,688
B	57,150

WEIGHT, KG 0,148

MANUFACTURER [IKO](#)

INTERCHANGE

ABC	LBB 16 UU
HEIM	LBB-1000 PP

CALCULATION DATA

Basic dynamic load rating min	1,070 kN
Basic dynamic load rating max	1,280 kN
Basic static load rating min	2,020 kN
Basic static load rating max	2,960 kN