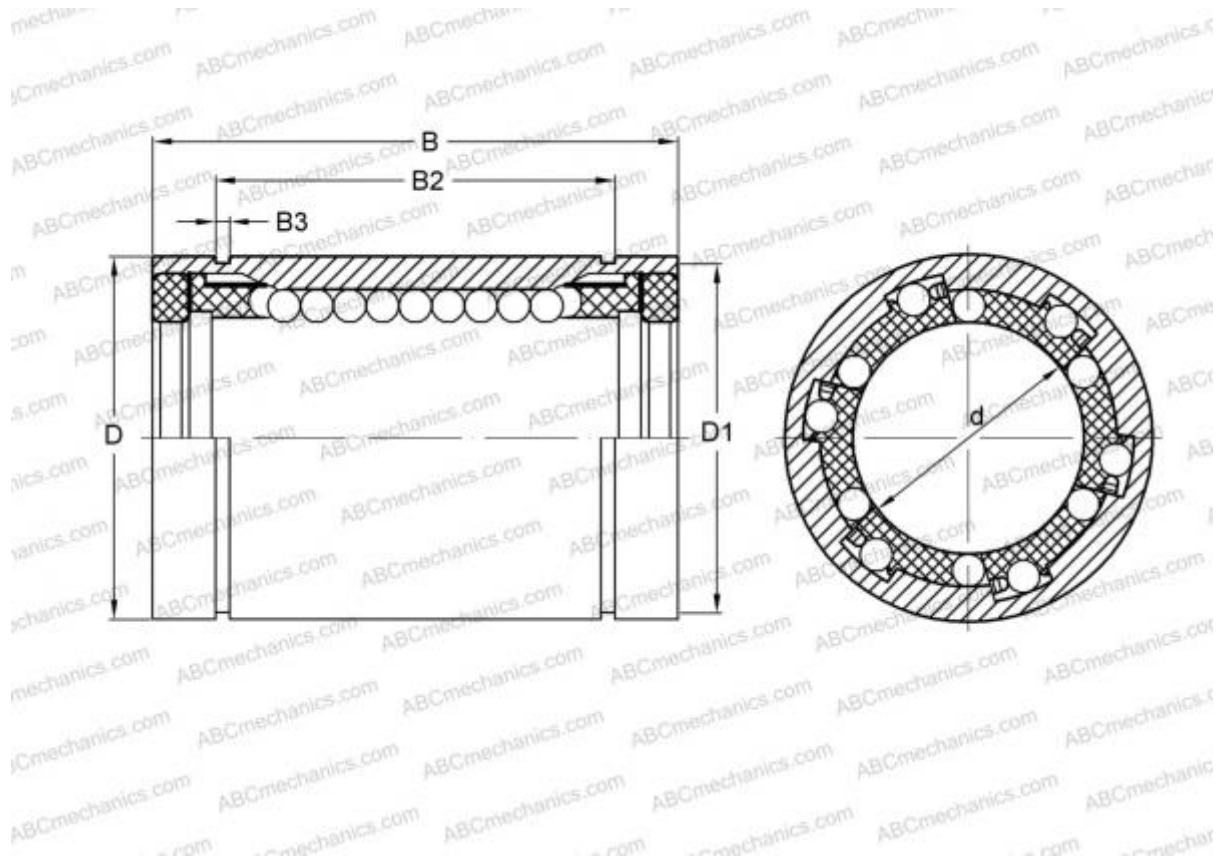


LBB-1000 PP HEIM

Linear bushing

TYPE: Shaft guidance systems, Linear bushing, Standard, Close type, Type LBB..UU, sealed on both sides, inch



Technical specification

DIMENSIONS, MM

d	25,400
D	39,688
B	57,150

WEIGHT, KG 0,148

MANUFACTURER [HEIM](#)

INTERCHANGE

ABC	LBB 16 UU
IKO	LBB 16 UU