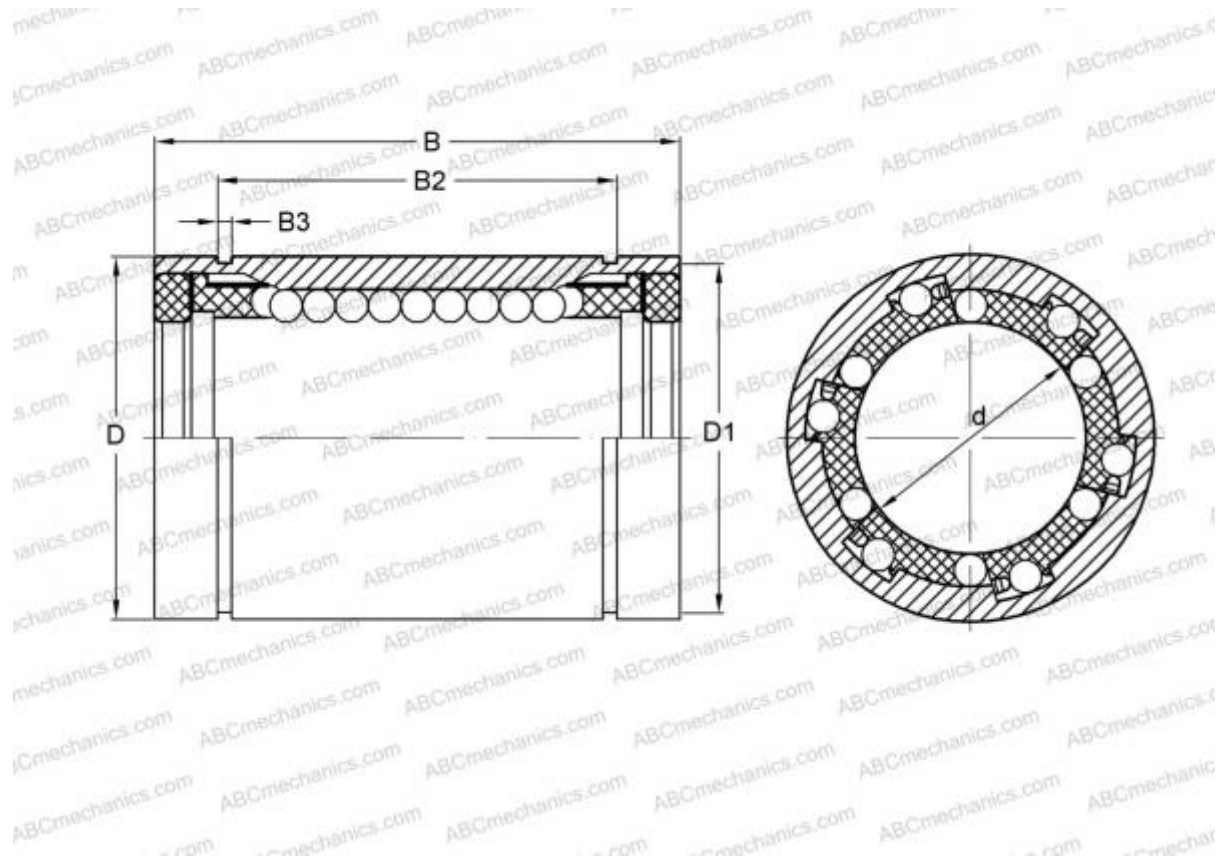


## LBB 20 UU IKO

Linear bushing

TYPE: Shaft guidance systems, Linear bushing, Standard, Close type, Type LBB..UU, sealed on both sides, inch



### Technical specification

#### DIMENSIONS, MM

d	31,750
D	50,800
B	66,675

**WEIGHT, KG** 0,325

**MANUFACTURER** [IKO](#)

#### INTERCHANGE

ABC	<a href="#">LBB 20 UU</a>
HEIM	<a href="#">LBB-1250 PP</a>

#### CALCULATION DATA

Basic dynamic load rating min	1,920 kN
Basic dynamic load rating max	2,030 kN
Basic static load rating min	3,570 kN
Basic static load rating max	4,570 kN