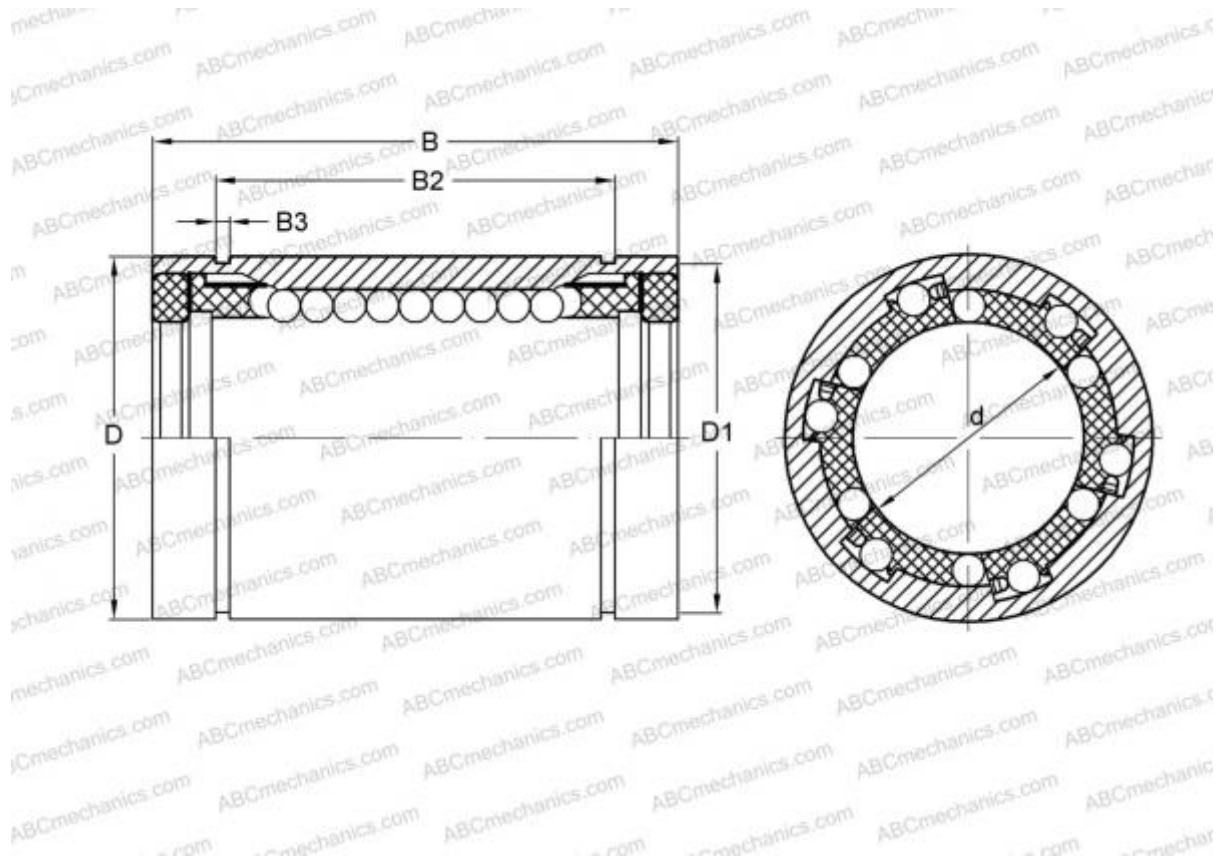


## LBB 32 UU IKO

Linear bushing

TYPE: Shaft guidance systems, Linear bushing, Standard, Close type, Type LBB..UU, sealed on both sides, inch



### Technical specification

#### DIMENSIONS, MM

d	50,800
D	76,200
B	101,600

**WEIGHT** 1,040

**MANUFACTURER** [IKO](#)

#### INTERCHANGE

ABC	<a href="#">LBB 32 UU</a>
HEIM	<a href="#">LBB-2000 PP</a>

#### CALCULATION DATA

Basic dynamic load rating min	3,960 kN
Basic dynamic load rating max	4,190 kN
Basic static load rating min	7,140 kN
Basic static load rating max	9,130 kN