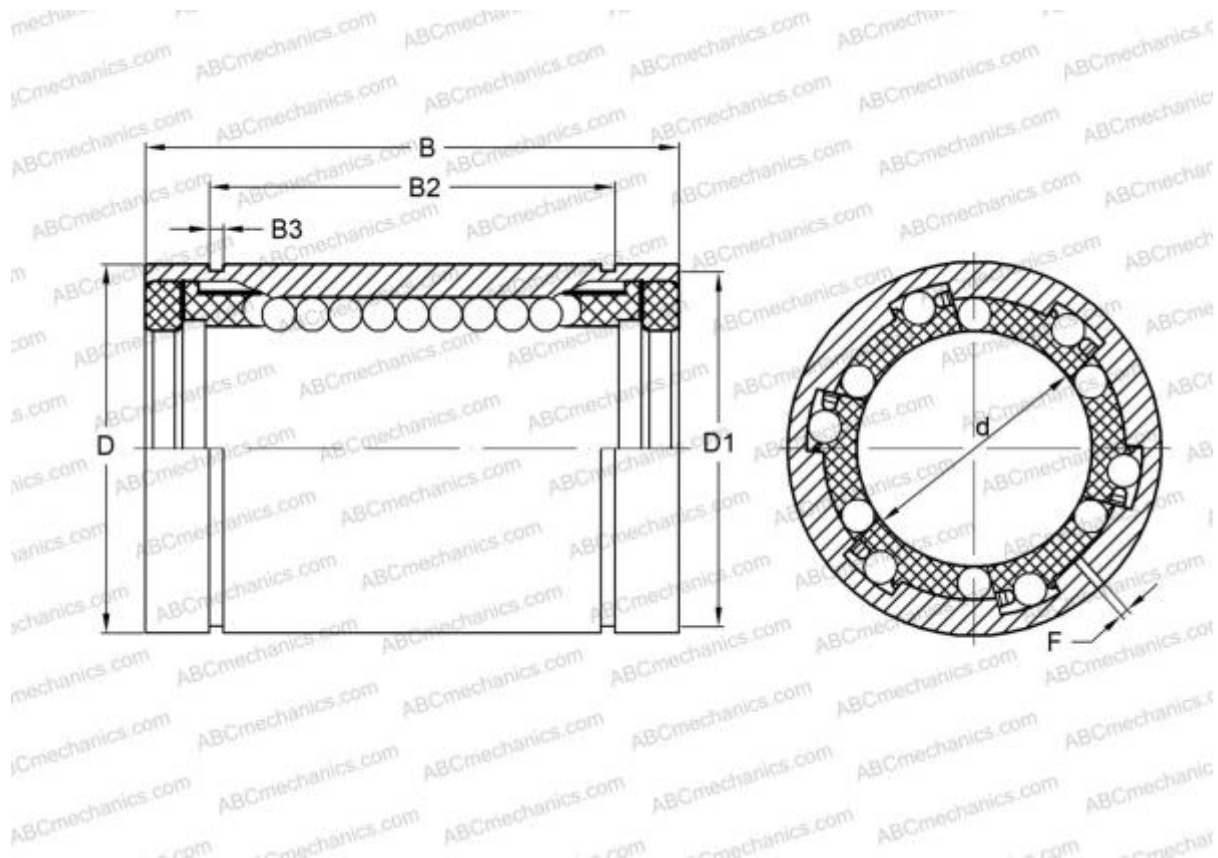


## LBB 12 UU AJ ABC

Linear bushing

TYPE: Shaft guidance systems, Linear bushing, Standard, Adjustable type, Type LBB..UU AJ, sealed on both sides, inch



### Technical specification

#### DIMENSIONS, MM

d	19,050
D	31,750
B	41,275
f	2,381

**WEIGHT, KG** 0,079

**MANUFACTURER** [ABC](#)

#### INTERCHANGE

IKO	<a href="#">LBB 12 UU AJ</a>
HEIM	<a href="#">ADJ-750 PP</a>