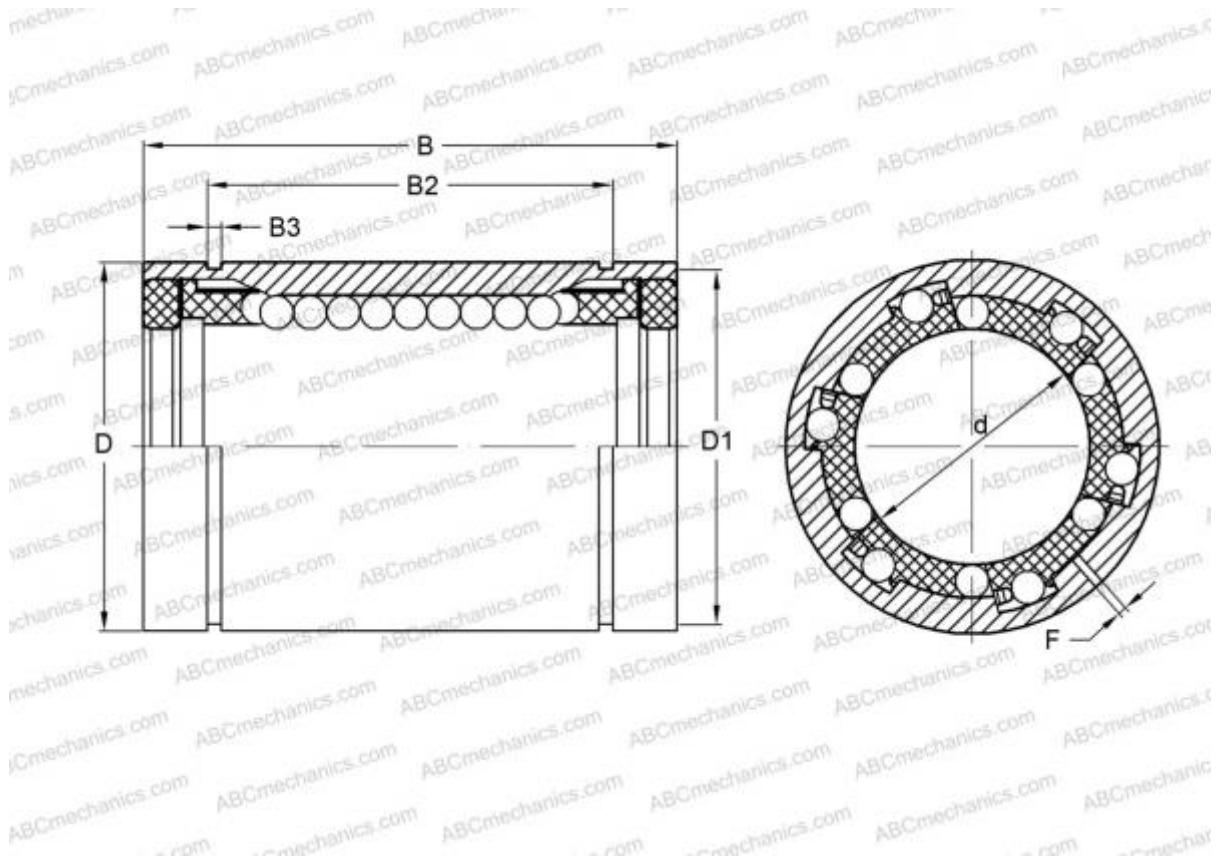


## LBB 16 UU AJ IKO

Linear bushing

TYPE: Shaft guidance systems, Linear bushing, Standard, Adjustable type, Type LBB..UU AJ, sealed on both sides, inch



### Technical specification

#### DIMENSIONS, MM

d	25,400
D	39,688
B	57,150
f	2,381

**WEIGHT, KG** 0,145

**MANUFACTURER** [IKO](#)

#### INTERCHANGE

ABC	<a href="#">LBB 16 UU AJ</a>
HEIM	<a href="#">ADJ-1000 PP</a>

#### CALCULATION DATA

Basic dynamic load rating min	1,070 kN
Basic dynamic load rating max	1,280 kN
Basic static load rating min	2,020 kN

#### CALCULATION DATA

Basic static load rating max	2,960 kN
------------------------------	----------