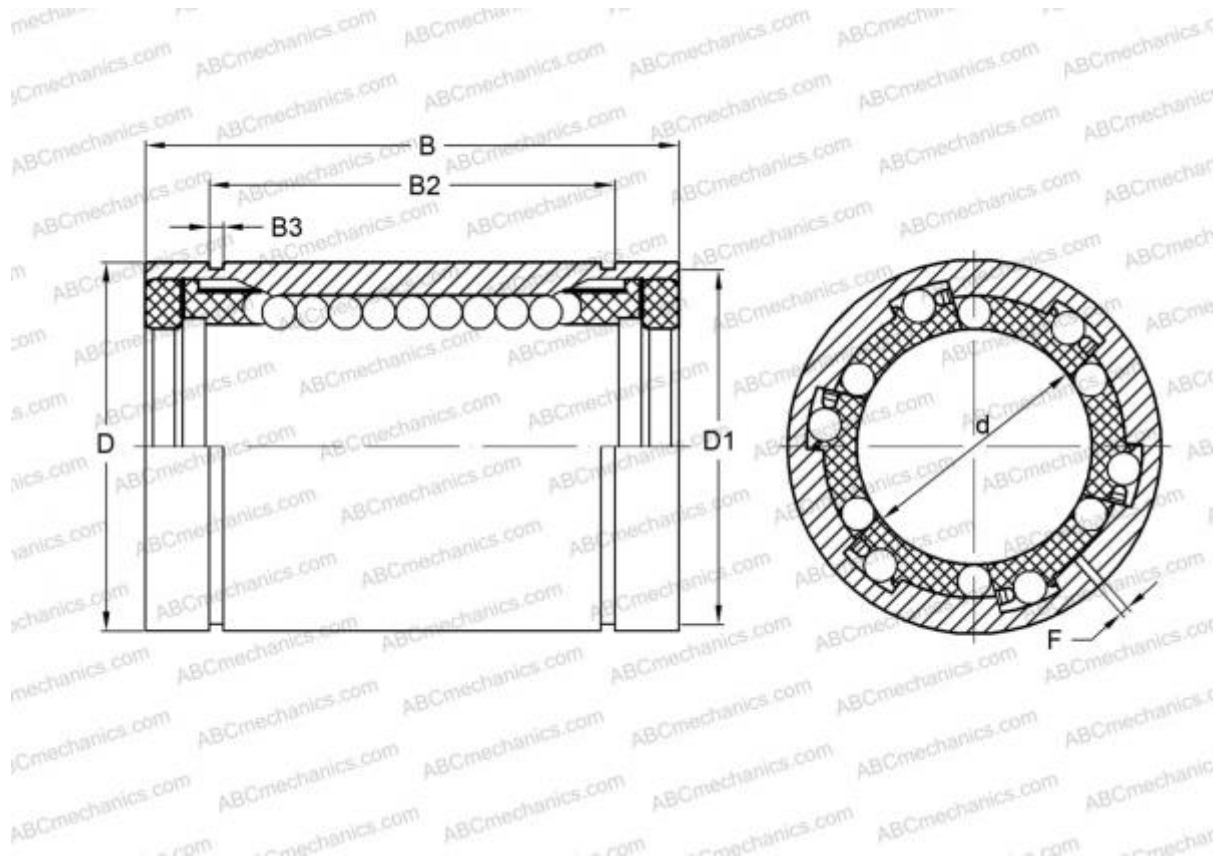


LBB 32 UU AJ ABC

Linear bushing

TYPE: Shaft guidance systems, Linear bushing, Standard, Adjustable type, Type LBB..UU AJ, sealed on both sides, inch



Technical specification

DIMENSIONS, MM

d	50,800
D	76,200
B	101,600
f	3,175

WEIGHT, KG 1,030

MANUFACTURER [ABC](#)

INTERCHANGE

IKO	LBB 32 UU AJ
HEIM	ADJ-2000 PP