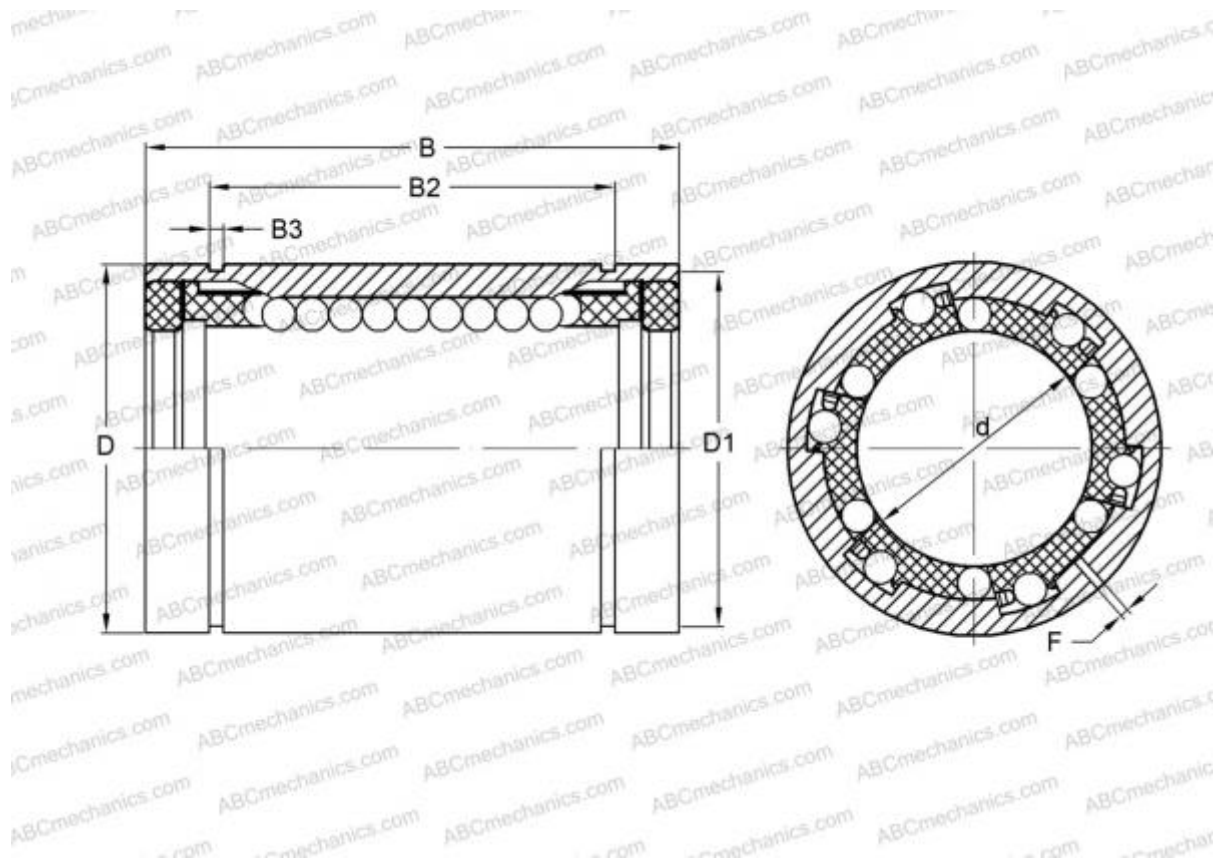


LBB 32 UU AJ IKO

Linear bushing

TYPE: Shaft guidance systems, Linear bushing, Standard, Adjustable type, Type LBB..UU AJ, sealed on both sides, inch



Technical specification

DIMENSIONS, MM

d	50,800
D	76,200
B	101,600
f	3,175

WEIGHT, KG 1,030

MANUFACTURER [IKO](#)

INTERCHANGE

ABC	LBB 32 UU AJ
HEIM	ADJ-2000 PP

CALCULATION DATA

Basic dynamic load rating min	3,960 kN
Basic dynamic load rating max	4,190 kN
Basic static load rating min	7,140 kN

CALCULATION DATA

Basic static load rating max	9,130 kN
------------------------------	----------