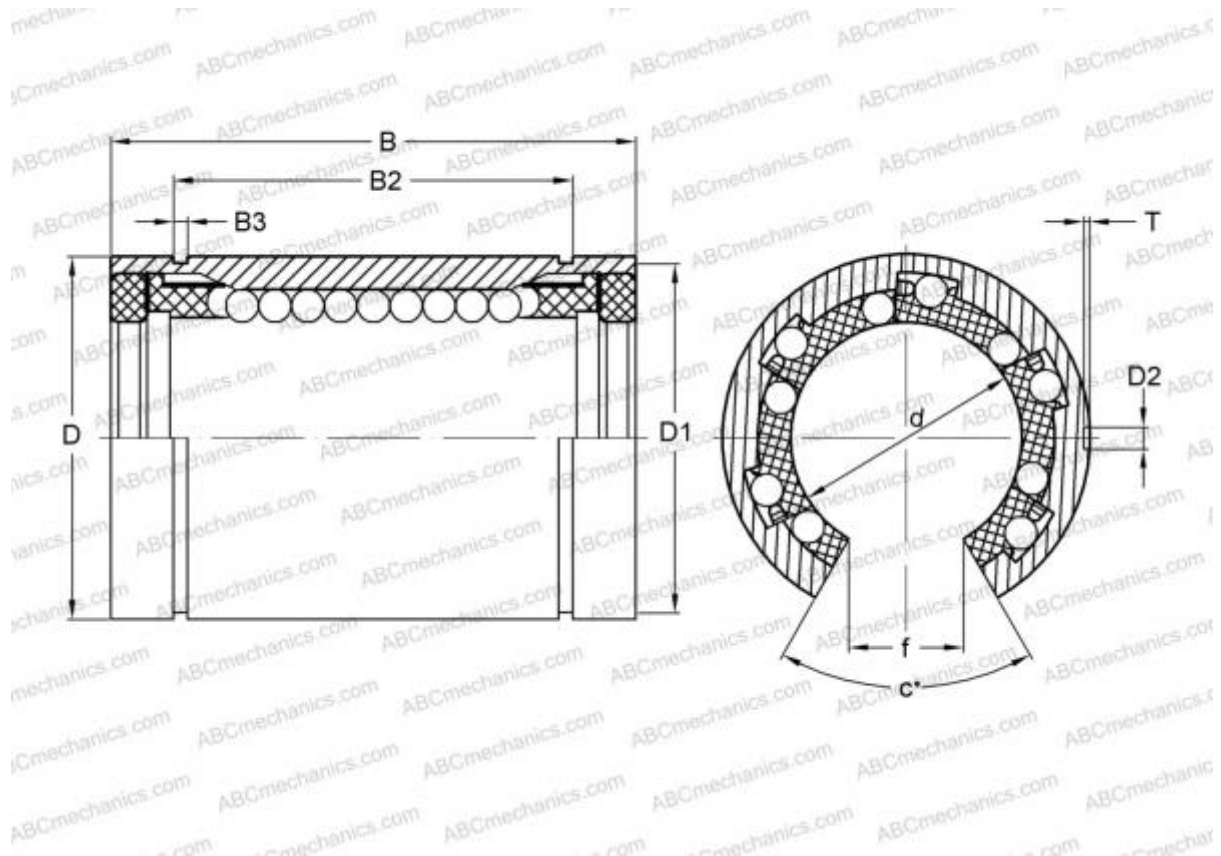


## OPN-500 PP HEIM

Linear bushing

TYPE: Shaft guidance systems, Linear bushing, Standard, Open type for support rail, Type LBB..UU OP, sealed on both sides, inch



### Technical specification

#### DIMENSIONS, MM

d	12,700
D	22,225
B	31,750
f	7,938
c	50,000

**WEIGHT** 0,028

**MANUFACTURER** [HEIM](#)

#### INTERCHANGE

ABC	<a href="#">LBB 8 UU OP</a>
IKO	<a href="#">LBB 8 UU OP</a>