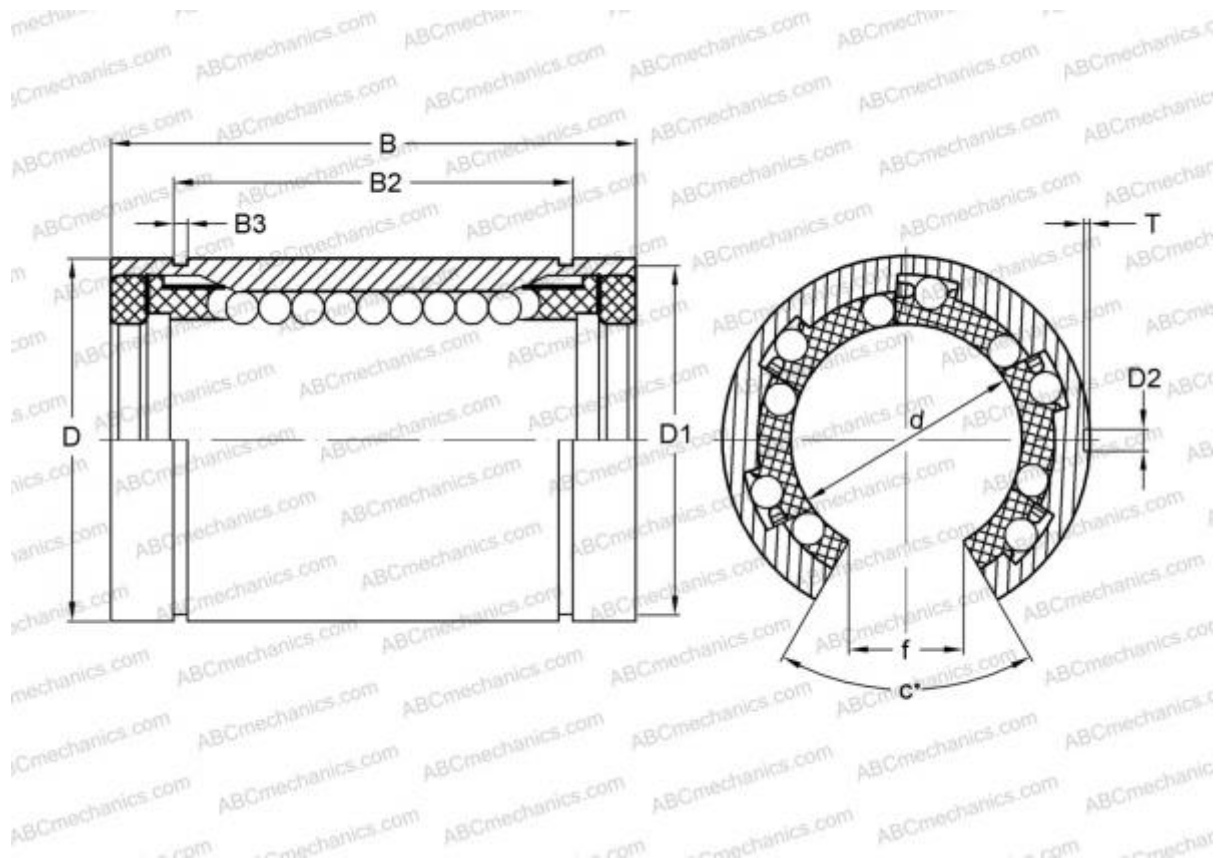


LBB 20 UU OP ABC

Linear bushing

TYPE: Shaft guidance systems, Linear bushing, Standard, Open type for support rail, Type LBB..UU OP, sealed on both sides, inch



Technical specification

DIMENSIONS, MM

d	31,750
D	50,800
B	66,675
f	15,875
c	50

WEIGHT, KG 0,290

MANUFACTURER [ABC](#)

INTERCHANGE

IKO	LBB 20 UU OP
HEIM	OPN-1250 PP