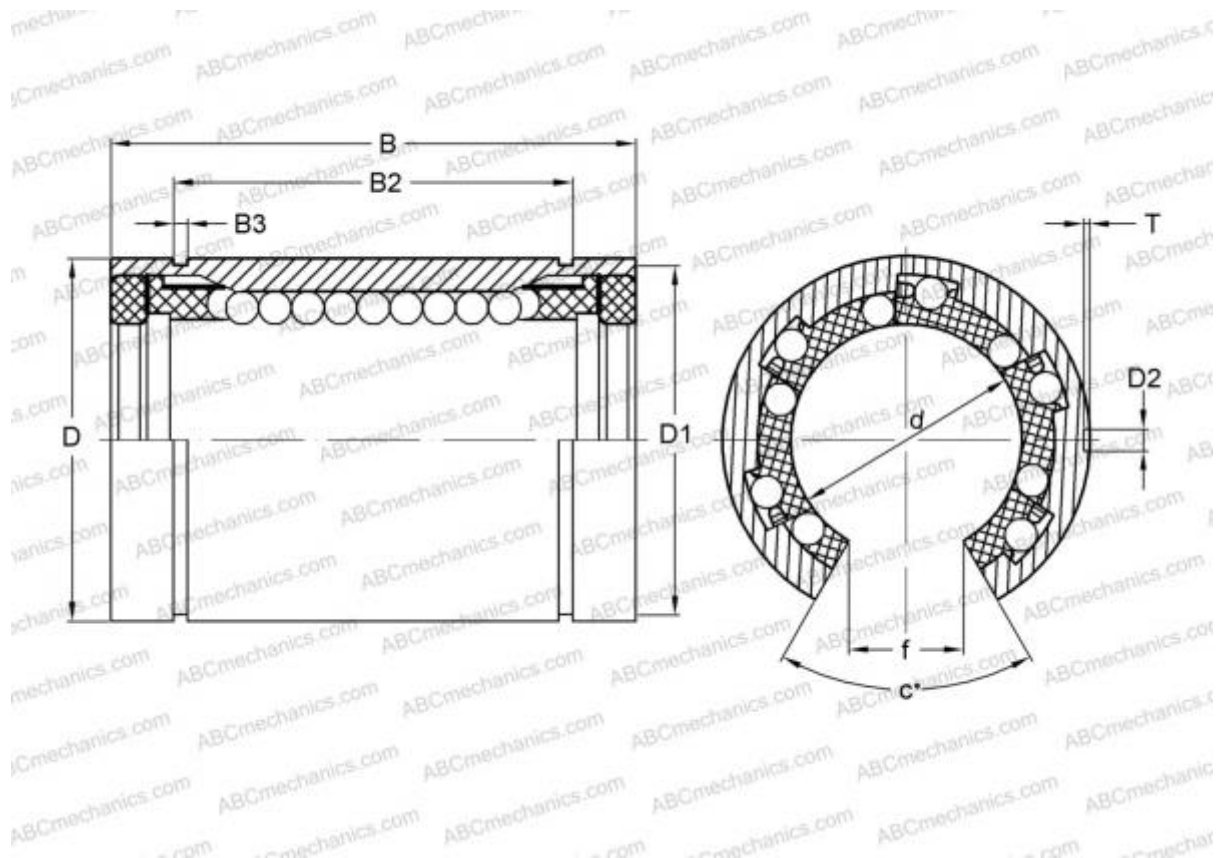


OPN-1250 PP HEIM

Linear bushing

TYPE: Shaft guidance systems, Linear bushing, Standard, Open type for support rail, Type LBB..UU OP, sealed on both sides, inch



Technical specification

DIMENSIONS, MM

d	31,750
D	50,800
B	66,675
f	15,875
c	50,000

WEIGHT, KG 0,290

MANUFACTURER [HEIM](#)

INTERCHANGE

ABC	LBB 20 UU OP
IKO	LBB 20 UU OP