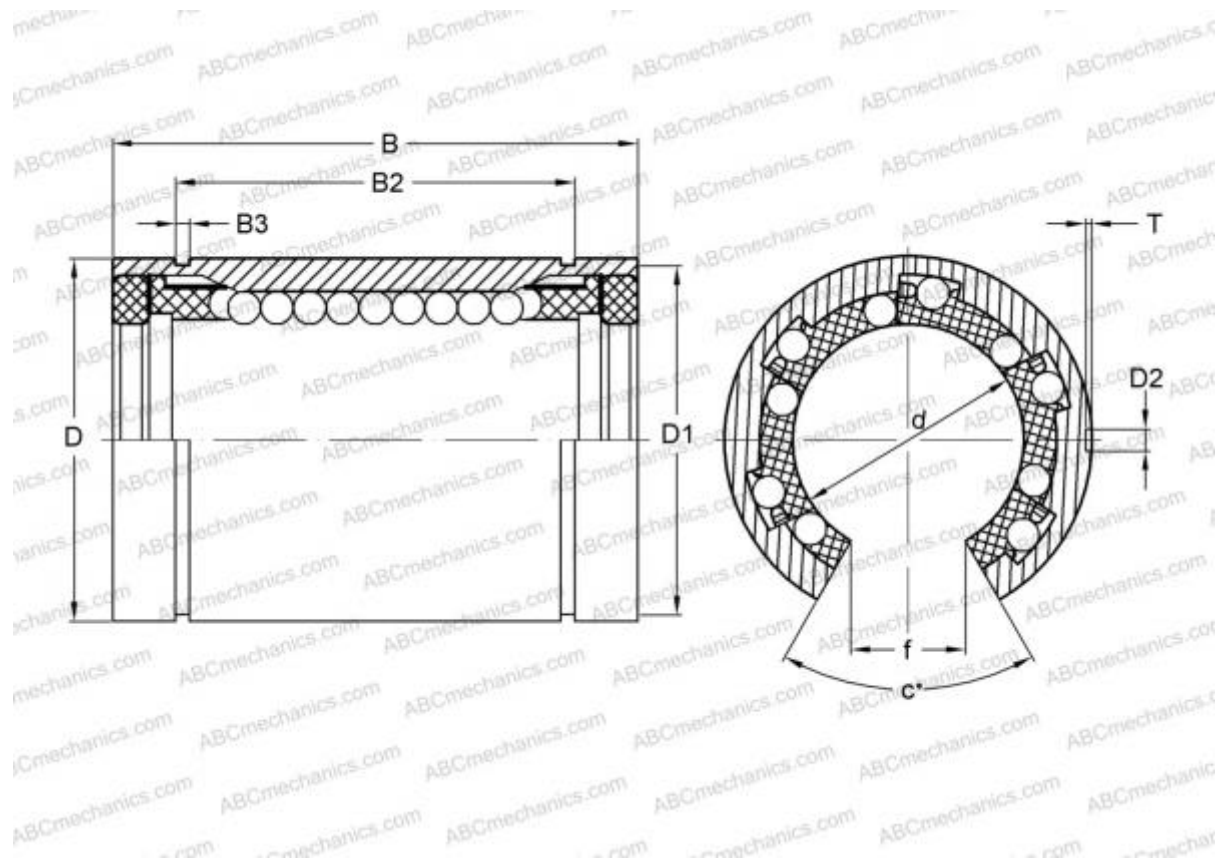


LBB 24 UU OP IKO

Linear bushing

TYPE: Shaft guidance systems, Linear bushing, Standard, Open type for support rail, Type LBB..UU OP, sealed on both sides, inch



Technical specification

DIMENSIONS, MM

d	38,100
D	60,325
B	76,200
f	19,050
c	50

WEIGHT, KG 0,475

MANUFACTURER [IKO](#)

INTERCHANGE

ABC	LBB 24 UU OP
HEIM	OPN-1500 PP

CALCULATION DATA

Basic dynamic load rating min	2,460 kN
Basic dynamic load rating max	2,610 kN

CALCULATION DATA

Basic static load rating min	4,330 kN
Basic static load rating max	5,540 kN