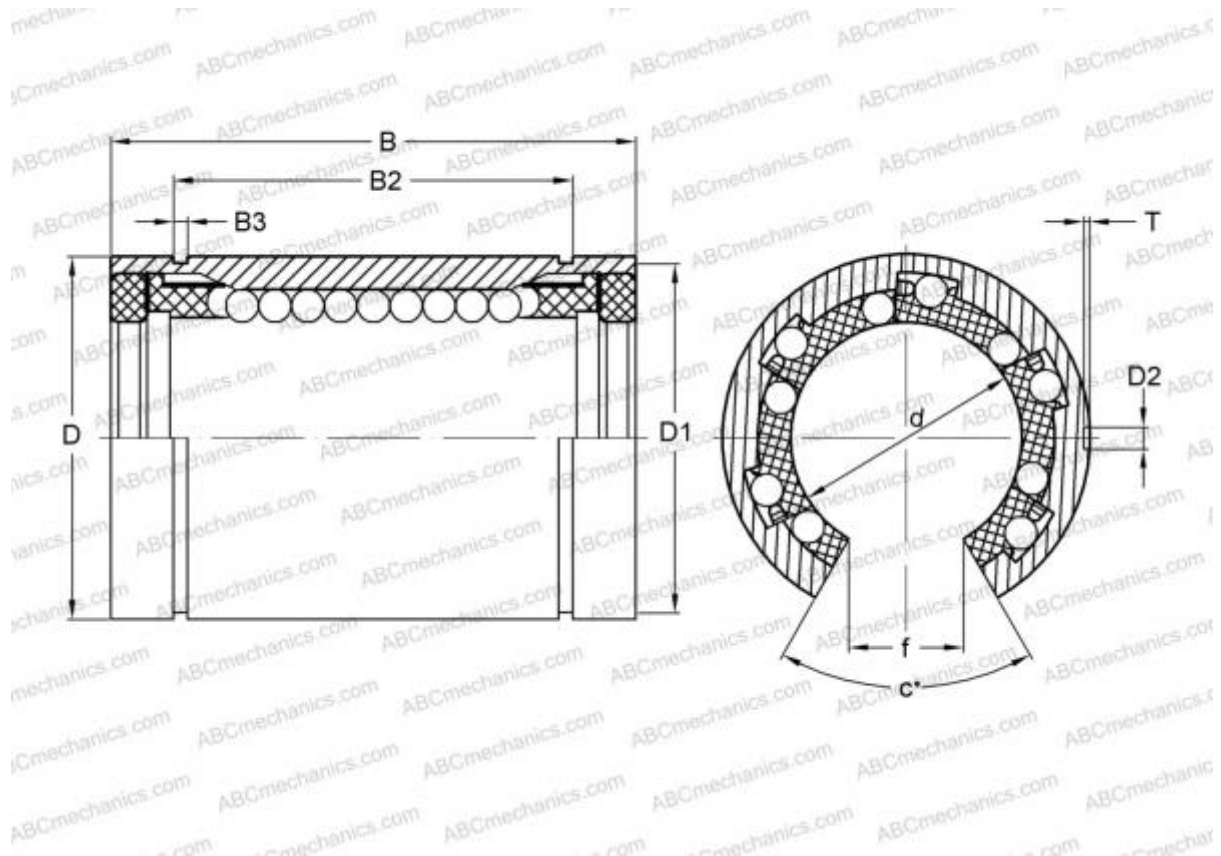


## OPN-1500 PP HEIM

Linear bushing

TYPE: Shaft guidance systems, Linear bushing, Standard, Open type for support rail, Type LBB..UU OP, sealed on both sides, inch



### Technical specification

#### DIMENSIONS, MM

|   |        |
|---|--------|
| d | 38,100 |
| D | 60,325 |
| B | 76,200 |
| f | 19,050 |
| c | 50,000 |

**WEIGHT, KG** 0,475

**MANUFACTURER** [HEIM](#)

#### INTERCHANGE

|     |                              |
|-----|------------------------------|
| ABC | <a href="#">LBB 24 UU OP</a> |
| IKO | <a href="#">LBB 24 UU OP</a> |