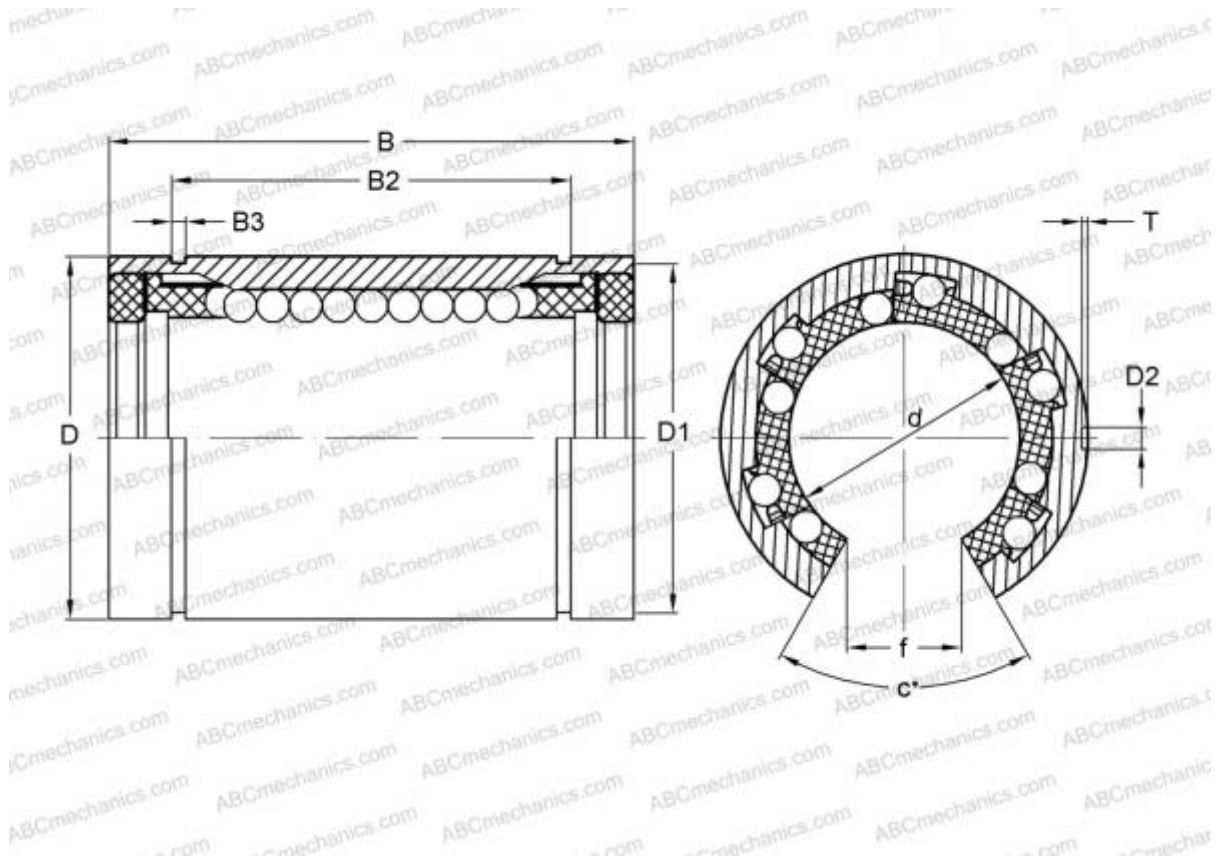


LBB 32 UU OP IKO

Linear bushing

TYPE: Shaft guidance systems, Linear bushing, Standard, Open type for support rail, Type LBB..UU OP, sealed on both sides, inch



Technical specification

DIMENSIONS, MM

d	50,800
D	76,200
B	101,600
f	25,400
c	50,000

WEIGHT 0,920

MANUFACTURER [IKO](#)

INTERCHANGE

ABC	LBB 32 UU OP
HEIM	OPN-2000 PP

CALCULATION DATA

Basic dynamic load rating min	3,960 kN
Basic dynamic load rating max	4,190 kN

CALCULATION DATA

Basic static load rating min	7,140 kN
Basic static load rating max	9,130 kN