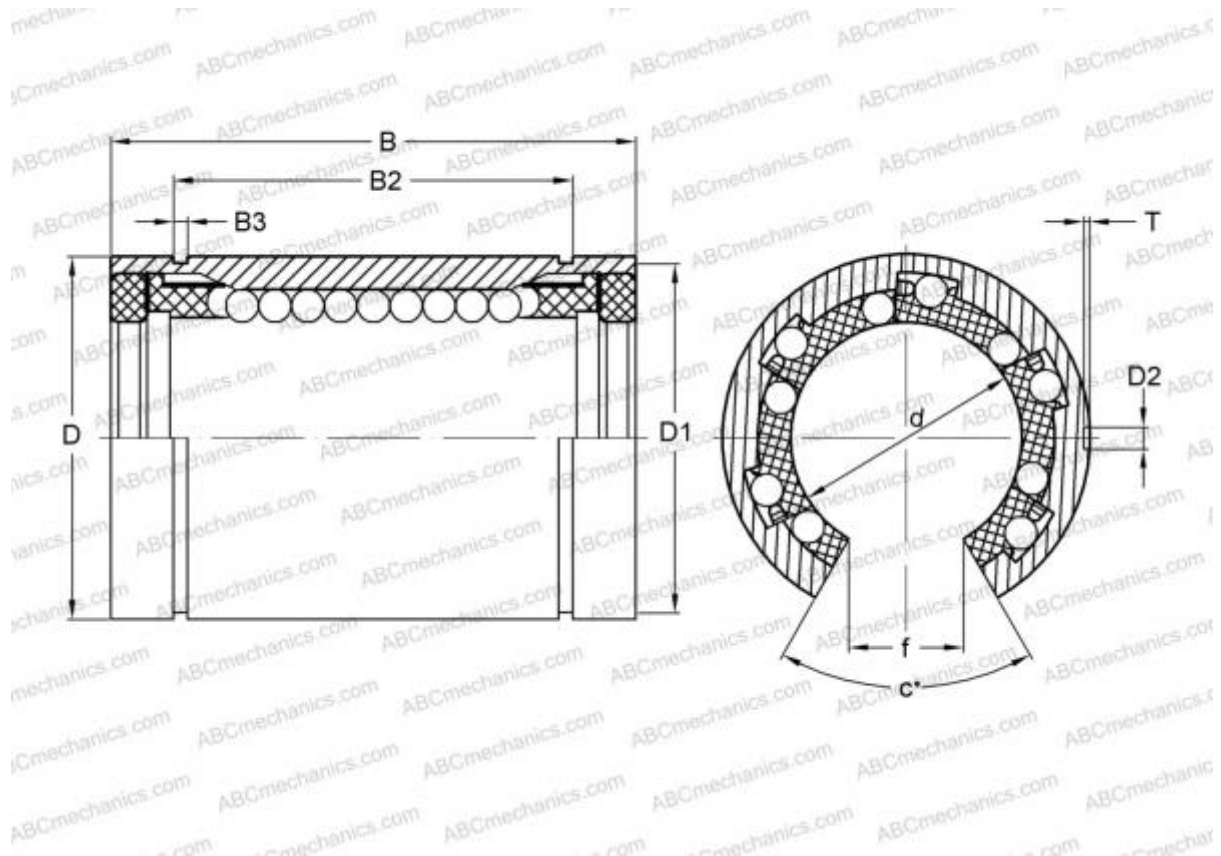


OPN-2000 PP HEIM

Linear bushing

TYPE: Shaft guidance systems, Linear bushing, Standard, Open type for support rail, Type LBB..UU OP, sealed on both sides, inch



Technical specification

DIMENSIONS, MM

d	50,800
D	76,200
B	101,600
f	25,400
c	50,000

WEIGHT 0,920

MANUFACTURER [HEIM](#)

INTERCHANGE

ABC	LBB 32 UU OP
IKO	LBB 32 UU OP