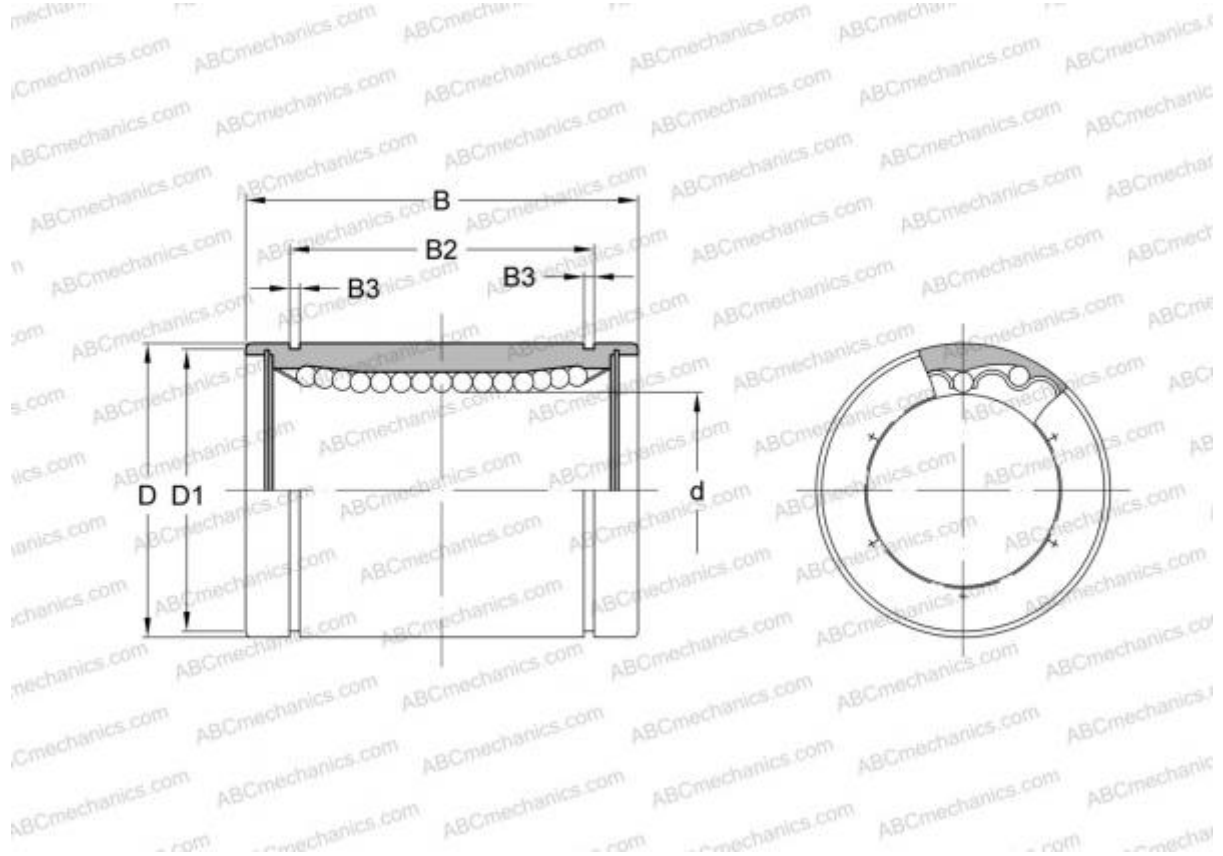


LBD 6 ABC

Linear bushing

TYPE: Shaft guidance systems, Linear bushing, Standard, Close type, Type LBD



Technical specification

DIMENSIONS, MM

d	6,000
D	12,000
B	19,000

WEIGHT 0,005

MANUFACTURER [ABC](#)

INTERCHANGE

IKO [LBD 6](#)