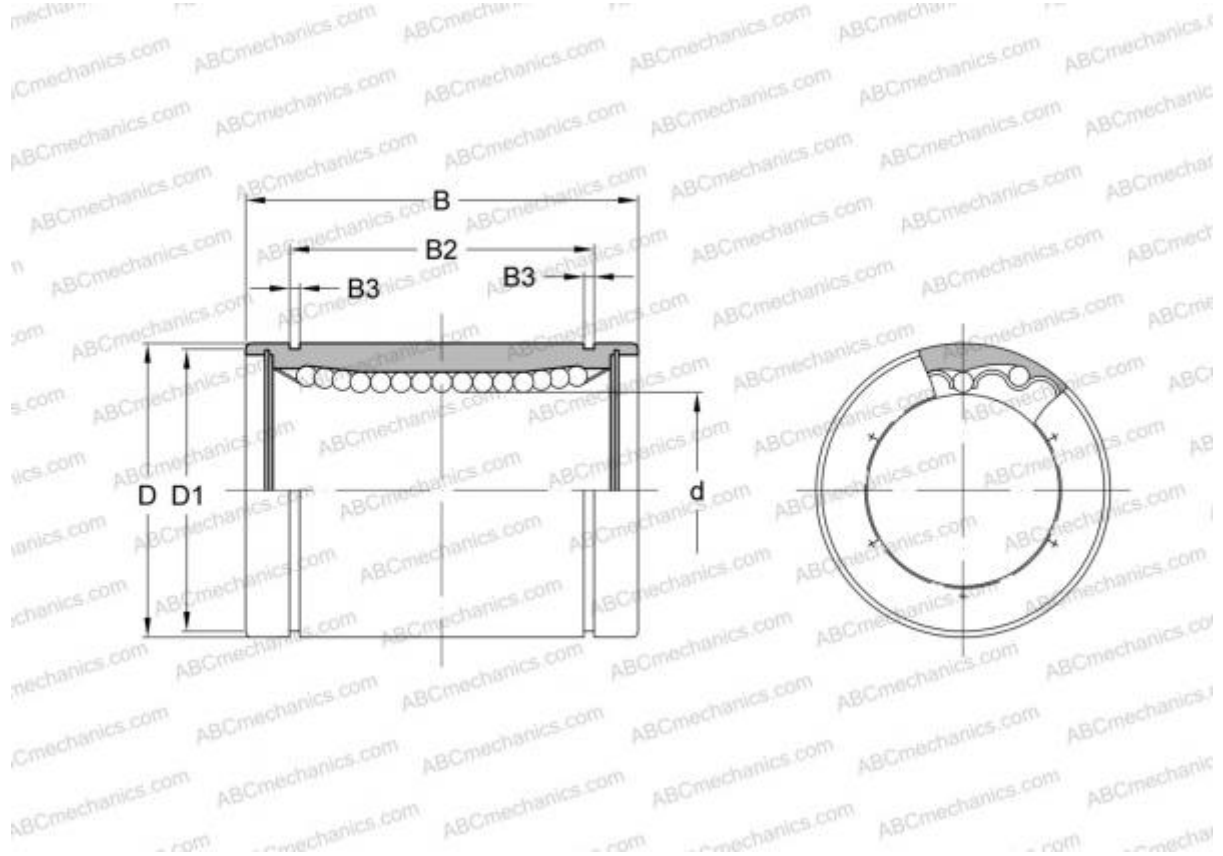


## LBD 8S ABC

Linear bushing

TYPE: Shaft guidance systems, Linear bushing, Standard, Close type, Type LBD



### Technical specification

#### DIMENSIONS, MM

d	8,000
D	15,000
B	17,000

**WEIGHT** 0,008

**MANUFACTURER** [ABC](#)

#### INTERCHANGE

IKO [LBD 8S](#)