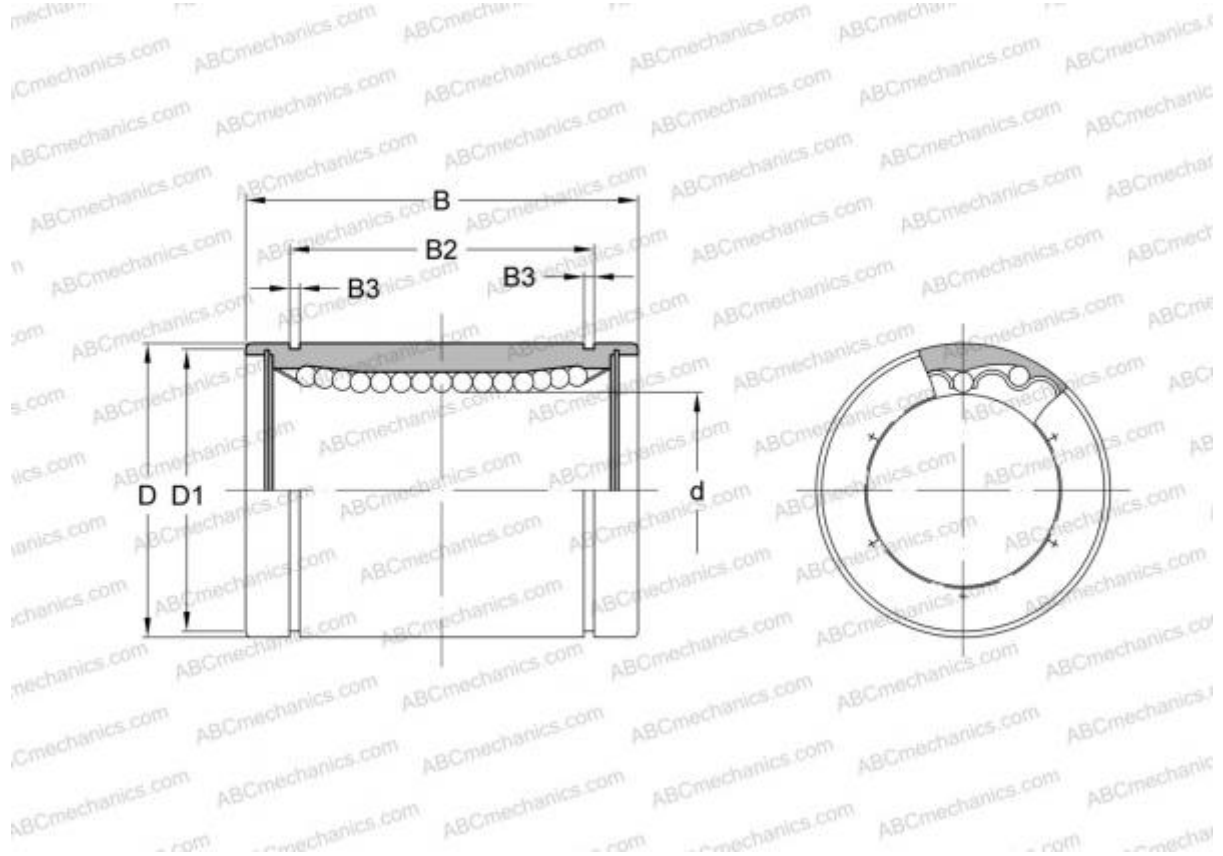


## LBD 10 ABC

Linear bushing

TYPE: Shaft guidance systems, Linear bushing, Standard, Close type, Type LBD



### Technical specification

#### DIMENSIONS, MM

d	10,000
D	19,000
B	29,000

**WEIGHT, KG** 0,026

**MANUFACTURER** [ABC](#)

#### INTERCHANGE

IKO [LBD 10](#)