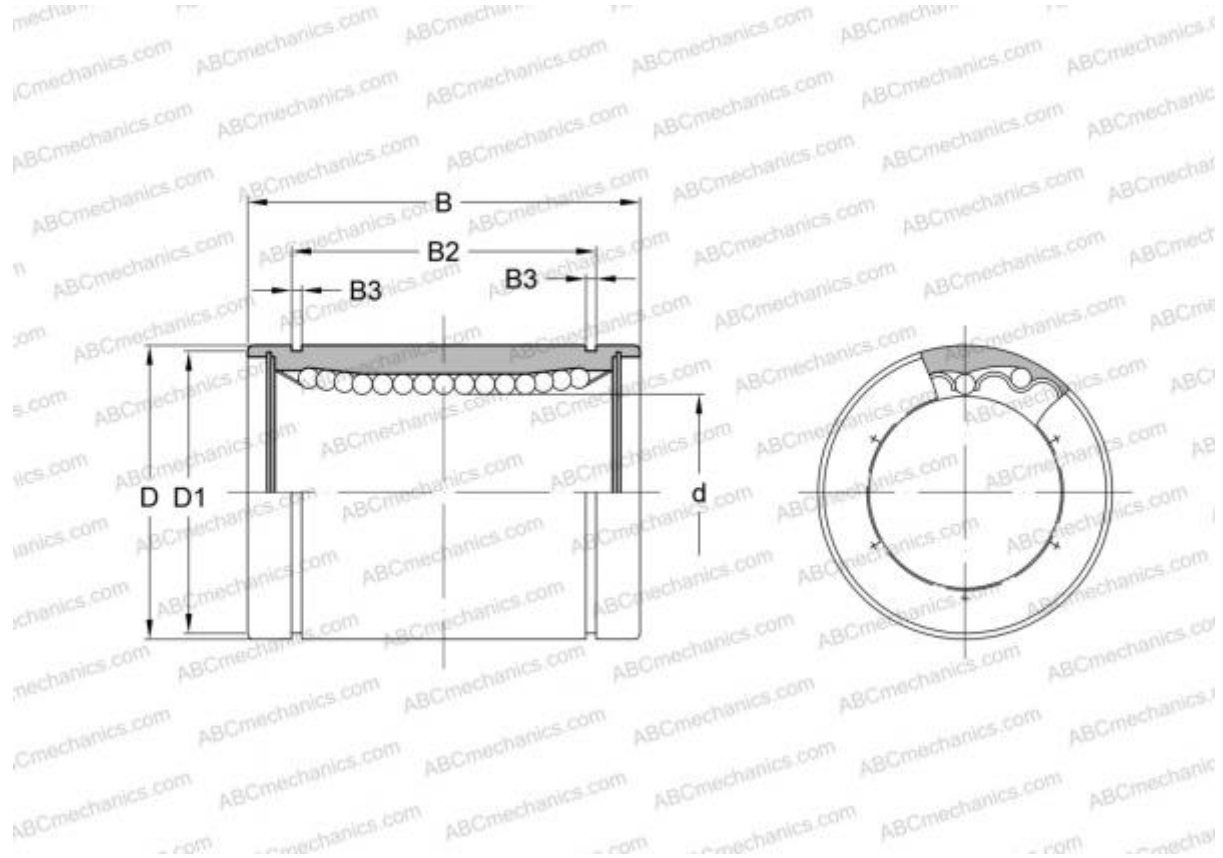


LBD 13 IKO

Linear bushing

TYPE: Shaft guidance systems, Linear bushing, Standard, Close type, Type LBD



Technical specification

DIMENSIONS, MM

d	13,000
D	23,000
B	32,000

WEIGHT, KG 0,042

MANUFACTURER [IKO](#)

INTERCHANGE

ABC [LBD 13](#)

CALCULATION DATA

Basic dynamic load rating min	0,292 kN
Basic dynamic load rating max	0,336 kN
Basic static load rating min	0,578 kN
Basic static load rating max	0,818 kN