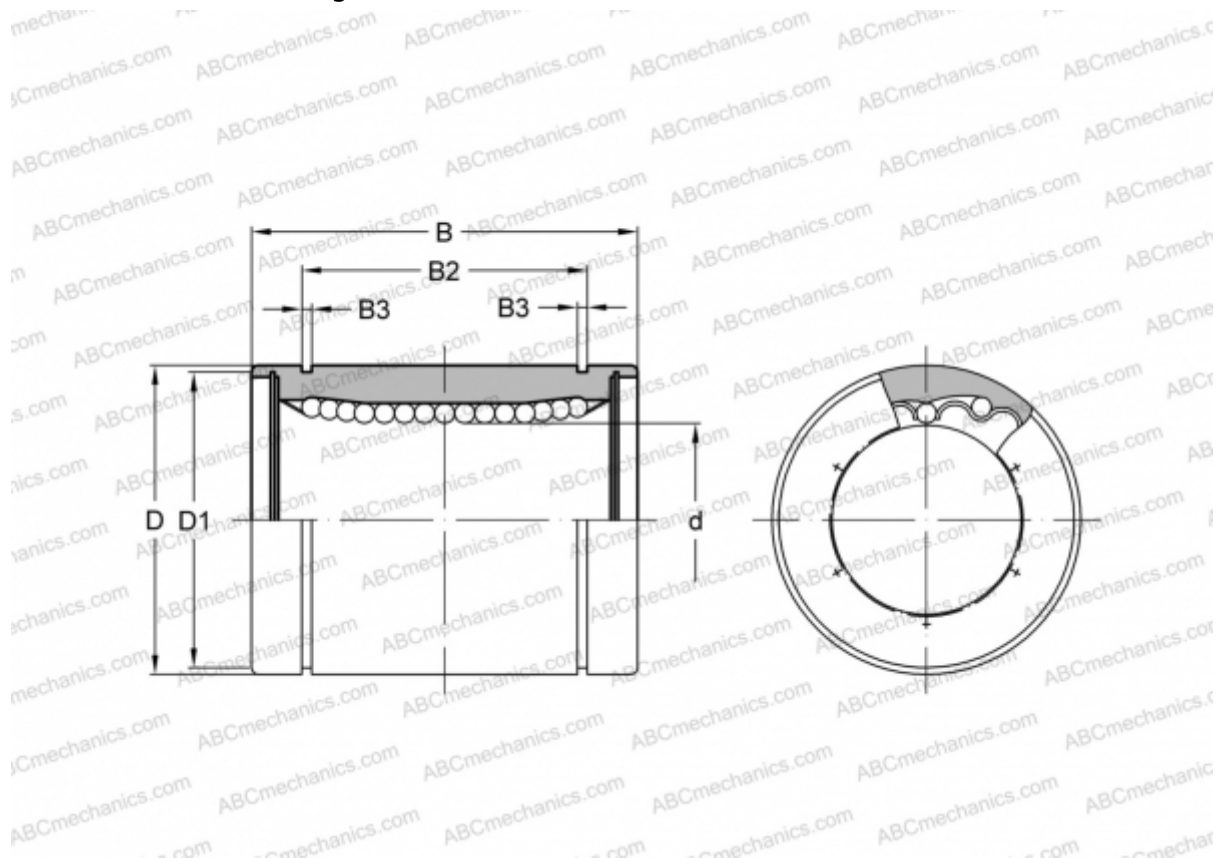


SMS 60G NB

Linear bushing

TYPE: Shaft guidance systems, Linear bushing, Standard, Close type, Type SM, Asian standard, Corrosion resistance, Plastic cage (NB)



Technical specification

DIMENSIONS, MM

d	60,000
D	90,000
B	110,000
D1	86,500
B2	85,000
B3	3,150

WEIGHT, KG 2,000

MANUFACTURER [NB](#)