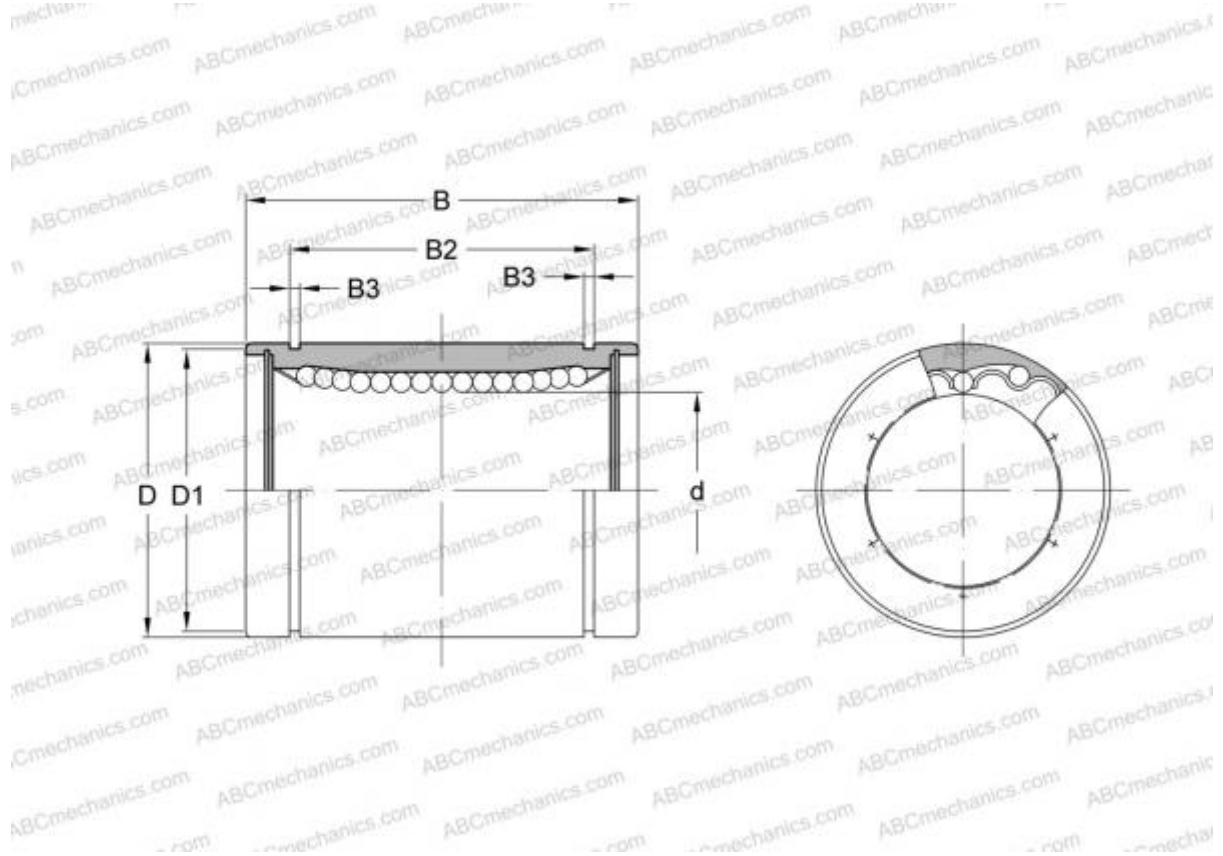


LBD 25 IKO

Linear bushing

TYPE: Shaft guidance systems, Linear bushing, Standard, Close type, Type LBD



Technical specification

DIMENSIONS, MM

d	25,000
D	40,000
B	59,000

WEIGHT, KG 0,160

MANUFACTURER [IKO](#)

INTERCHANGE

ABC	LBD 25
-----	------------------------

CALCULATION DATA

Basic dynamic load rating min	1,070 kN
Basic dynamic load rating max	1,270 kN
Basic static load rating min	2,020 kN
Basic static load rating max	2,960 kN