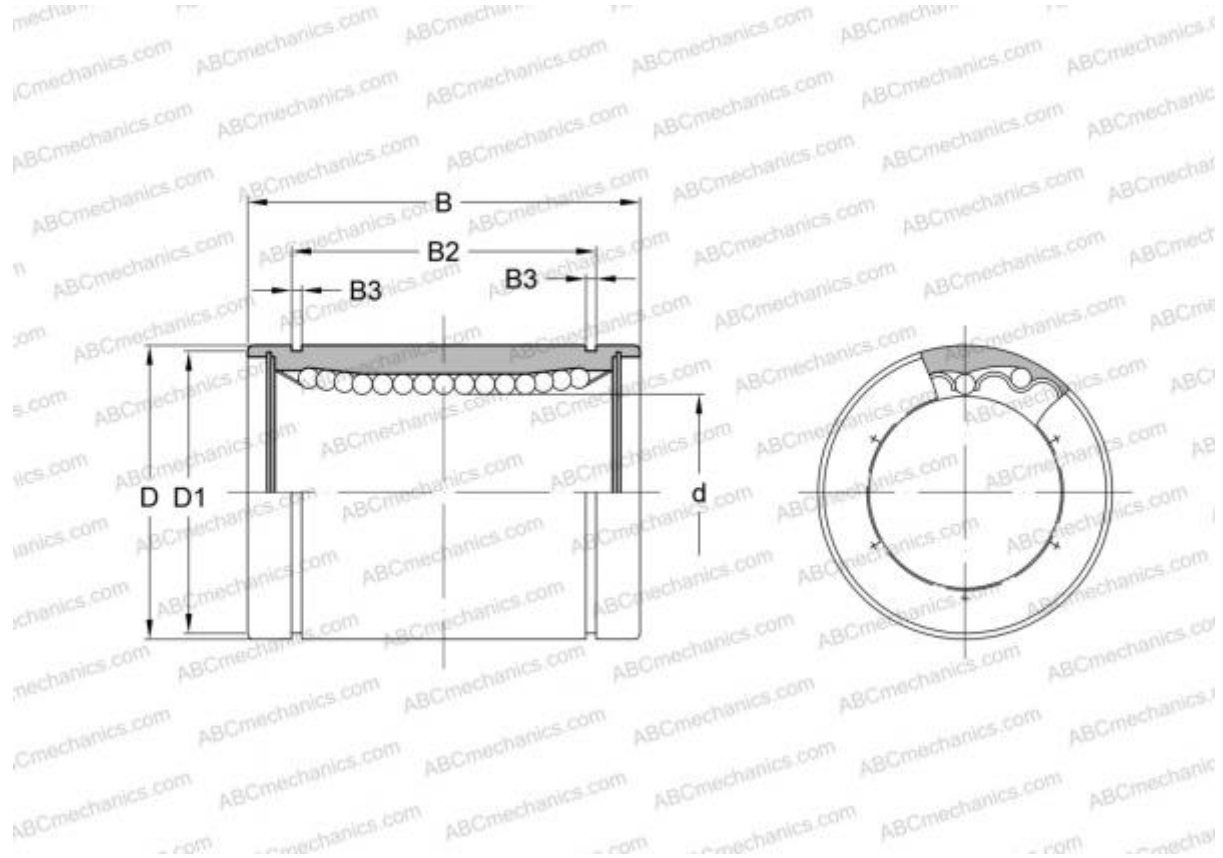


LBD 35 IKO

Linear bushing

TYPE: Shaft guidance systems, Linear bushing, Standard, Close type, Type LBD



Technical specification

DIMENSIONS, MM

d	35,000
D	52,000
B	70,000

WEIGHT 0,320

MANUFACTURER [IKO](#)

INTERCHANGE

ABC [LBD 35](#)

CALCULATION DATA

Basic dynamic load rating min	1,610 kN
Basic dynamic load rating max	1,710 kN
Basic static load rating min	3,080 kN
Basic static load rating max	3,940 kN